

**NOTICE!!**

**These documents have been scanned!**

**Do not place un-scanned documents beneath this notice!**

**Do not remove this notice from this file!**

GPO Jacket No. 560-102  
Print Order 61540  
Rise Business Services, LLC  
Job=AZ15 5/21/2019



Box Number= AZ15074



Claim Begin-End: AMC453456-AMC453487

**1 Initial Receipt**



AZ15074-30

AMC452850-AMC453499

**United States Department of the Interior**  
**Bureau of Land Management**  
 DIV OF LANDS, MINRLS & ENERGY  
 ONE N CENTRAL AVE  
 PHOENIX, AZ 85004 -4427  
 Phone: 602-417-9200

Receipt

No: 4372626

<b>Transaction #:</b> 4489975	
<b>Date of Transaction:</b> 02/13/2019	
CUSTOMER:	
PLOMOSA MINING INC 121 WALNUT AVE HUNTINGTON BEACH,CA 92648-5151 US	

LINE #	QTY	DESCRIPTION	REMARKS	UNIT PRICE	TOTAL
1	32.00	LOCATABLE MINERALS / MINING CLAIMS-NEW,UNADJUD, ONE OR MORE AUTH NOS / NEW MINING CLAIM PROCESSING FEE <b>CASES:</b> AMC453456/\$20.00, AMC453457/\$20.00, AMC453458/\$20.00, AMC453459/\$20.00, AMC453460/\$20.00, AMC453461/\$20.00, AMC453462/\$20.00, AMC453463/\$20.00, AMC453464/\$20.00, AMC453465/\$20.00, AMC453466/\$20.00, AMC453467/\$20.00, AMC453468/\$20.00, AMC453469/\$20.00, AMC453470/\$20.00, AMC453471/\$20.00, AMC453472/\$20.00, AMC453473/\$20.00, AMC453474/\$20.00, AMC453475/\$20.00, AMC453476/\$20.00, AMC453477/\$20.00, AMC453478/\$20.00, AMC453479/\$20.00, AMC453480/\$20.00, AMC453481/\$20.00, AMC453482/\$20.00, AMC453483/\$20.00, AMC453484/\$20.00, AMC453485/\$20.00, AMC453486/\$20.00, AMC453487/\$20.00		- n/a -	640.00
2	32.00	LOCATABLE MINERALS / MINING CLAIMS-NEW,UNADJUD, ONE OR MORE AUTH NOS / NEW MINING CLAIMS LOCATION FEE <b>CASES:</b> AMC453456/\$37.00, AMC453457/\$37.00, AMC453458/\$37.00, AMC453459/\$37.00, AMC453460/\$37.00, AMC453461/\$37.00, AMC453462/\$37.00, AMC453463/\$37.00, AMC453464/\$37.00, AMC453465/\$37.00, AMC453466/\$37.00, AMC453467/\$37.00, AMC453468/\$37.00, AMC453469/\$37.00,		- n/a -	1184.00

**ENTERED**  
 FEB 25 2019  
 BY: RAM

		AMC453470/\$37.00, AMC453471/\$37.00, AMC453472/\$37.00, AMC453473/\$37.00, AMC453474/\$37.00, AMC453475/\$37.00, AMC453476/\$37.00, AMC453477/\$37.00, AMC453478/\$37.00, AMC453479/\$37.00, AMC453480/\$37.00, AMC453481/\$37.00, AMC453482/\$37.00, AMC453483/\$37.00, AMC453484/\$37.00, AMC453485/\$37.00, AMC453486/\$37.00, AMC453487/\$37.00			
3	32.00	LOCATABLE MINERALS / MINING CLAIMS- NEW, UNADJUD, ONE OR MORE AUTH NOS / NEW MINING CLAIMS MAINTENANCE FEE <b>CASES:</b> AMC453456/\$155.00, AMC453457/\$155.00, AMC453458/\$155.00, AMC453459/\$155.00, AMC453460/\$155.00, AMC453461/\$155.00, AMC453462/\$155.00, AMC453463/\$155.00, AMC453464/\$155.00, AMC453465/\$155.00, AMC453466/\$155.00, AMC453467/\$155.00, AMC453468/\$155.00, AMC453469/\$155.00, AMC453470/\$155.00, AMC453471/\$155.00, AMC453472/\$155.00, AMC453473/\$155.00, AMC453474/\$155.00, AMC453475/\$155.00, AMC453476/\$155.00, AMC453477/\$155.00, AMC453478/\$155.00, AMC453479/\$155.00, AMC453480/\$155.00, AMC453481/\$155.00, AMC453482/\$155.00, AMC453483/\$155.00, AMC453484/\$155.00, AMC453485/\$155.00, AMC453486/\$155.00, AMC453487/\$155.00		- n/a -	4960.00
<b>TOTAL:</b>					<b>\$6,784.00</b>

PAYMENT INFORMATION				
1	AMOUNT:	6784.00	POSTMARKED:	N/A
	TYPE:	CHECK	RECEIVED:	02/11/2019
	CHECK NO:	1183		
	NAME:	MILLENNIA INC 170 S GREEN VALLEY PKWY STE 300 HENDERSON NV 89012 US		

REMARKS

This receipt was generated by the automated BLM Collections and Billing System and is a paper representation of a portion of the official electronic record contained therein.

**NOTICE!!**

**These documents have been scanned!**

**Do not place un-scanned documents beneath this notice!**

**Do not remove this notice from this file!**

GPO Jacket No. 560-102  
Print Order 61540  
Rise Business Services, LLC  
Job=AZ15 5/21/2019



Box Number= AZ15074



Claim Begin-End: AMC453456-AMC453487

**2 Correspondence**



AZ15074-30

AMC452850-AMC453499



# United States Department of the Interior



453456

BUREAU OF LAND MANAGEMENT

Arizona State Office

One North Central Avenue, Suite 800

Phoenix, Arizona 85004-4427

[www.blm.gov/az/](http://www.blm.gov/az/)

NOV 08 2019

In Reply Refer To:  
3800 (9200) PB  
AMC453456

CERTIFIED MAIL - RETURN RECEIPT REQUESTED No. 9214 8901 9403 8398 8701 57

## DECISION

PLOMOSA MINING INC	:	This decision affects those claims
121 WALNUT AVE	:	shown on the attached list(s).
HUNTINGTON BEACH, CA 92648-5151	:	

SEE ATTACHMENT(S) FOR CLAIM NAMES AND AMC NUMBERS

### MINING CLAIMS DECLARED FORFEITED

The mining claims listed above have been declared forfeited as of September 1, 2019, for failure to timely file the required maintenance fee payment or small miner's maintenance fee waiver (waiver).

Claimants are required to pay an annual non-refundable maintenance fee of \$165 per 20 acres or portion thereof, or submit a waiver, on or before September 1 of each year. These requirements were established by 30 U.S.C. 28f-1, as amended, and 43 CFR 3834 and 3835.

Our records do not show receipt of a maintenance fee payment or small miner waiver filed on or before the due date. Therefore, the claims listed above are forfeited.

### Reclamation Requirements

This decision does not relieve you of the liability for reclamation of all areas disturbed by your activities on lands covered by the subject mining claim(s) and/or site(s). After you complete the reclamation, you must notify the authorized officer of the appropriate surface managing agency so that the authorized officer may conduct a final site inspection and determine whether you may be released from liability. If you fail to reclaim the land to the satisfaction of the authorized officer, the surface management agency may cite you for noncompliance under its surface management regulations. For land administered by the Bureau of Land Management (BLM), if

you fail to reclaim the land to the satisfaction of the authorized officer as required in 43 CFR Subpart 3809, the BLM will issue an order of noncompliance under 43CFR 3809.601(a). If you fail to comply with the non-compliance order, BLM may take further action under 43 CFR 3809.604. Failure to conduct reclamation is a prohibited act that may subject you to criminal penalties. See 43 CFR 3809.605(h) and 43 CFR 3809.700.

### Appeal Procedures

This decision may be appealed to the Interior Board of Land Appeals, Office of the Secretary, in accordance with the regulations contained in 43 CFR, Part 4, and the enclosed Form 1842-1. If an appeal is taken, your notice of appeal must be filed in this office (at the above address) within 30 days from receipt of this decision. The appellant has the burden of showing that the decision appealed from is in error.

If you wish to file a petition pursuant to regulation 43 CFR 4.21 (58 FR 4939, January 19, 1993) for a stay of the effectiveness of this decision during the time that your appeal is being reviewed by the Board, the petition for a stay must accompany your notice of appeal. A petition for a stay is required to show sufficient justification based on the standards listed below. Copies of the notice of appeal and petition for a stay **must** also be submitted to each party named in this decision and to the Interior Board of Land Appeals and to the appropriate Office of the Solicitor (see 43 CFR 4.413) at the same time the original documents are filed with this office. If you request a stay, you have the burden of proof to demonstrate that a stay should be granted.

### Standards for Obtaining a Stay

Except as otherwise provided by law or other pertinent regulation, a petition for a stay of a decision pending appeal shall show sufficient justification based on the following standards:

- (1) The relative harm to the parties if the stay is granted or denied,
- (1) The likelihood of the appellant's success on the merits,
- (2) The likelihood of immediate and irreparable harm if the stay is not granted, and
- (3) Whether the public interest favors granting the stay.

Please include your AMC serial number(s) on all correspondence. If additional information is required, please call Pauline Brown at 602-417-9360.



Elena Fink  
Deputy State Director  
Lands, Minerals and Energy Division

Enclosure(s)

# 12

**PLOMOSA MINING INC  
121 WALNUT AVE  
HUNTINGTON BEACH, CA 92648-5151**

Serial Number	Lead Serial Number	Claim Name
AMC453456	AMC453456	PM-24-1
AMC453457	AMC453456	PM-24-2
AMC453458	AMC453456	PM-24-3
AMC453459	AMC453456	PM-24-4
AMC453460	AMC453456	PM-24-5
AMC453461	AMC453456	PM-24-6
AMC453462	AMC453456	PM-24-7
AMC453463	AMC453456	PM-24-8
AMC453464	AMC453456	PM-24-9
AMC453465	AMC453456	PM-24-10
AMC453466	AMC453456	PM-24-11
AMC453467	AMC453456	PM-24-12
AMC453468	AMC453456	PM-24-13
AMC453469	AMC453456	PM-24-14
AMC453470	AMC453456	PM-24-15
AMC453471	AMC453456	PM-24-16
AMC453472	AMC453456	PM-24-17
AMC453473	AMC453456	PM-24-18
AMC453474	AMC453456	PM-24-19
AMC453475	AMC453456	PM-24-20
AMC453476	AMC453456	PM-24-21
AMC453477	AMC453456	PM-24-22
AMC453478	AMC453456	PM-24-23
AMC453479	AMC453456	PM-24-24
AMC453480	AMC453456	PM-24-25
AMC453481	AMC453456	PM-24-26
AMC453482	AMC453456	PM-24-27
AMC453483	AMC453456	PM-24-28
AMC453484	AMC453456	PM-24-29
AMC453485	AMC453456	PM-24-30
AMC453486	AMC453456	PM-24-31
AMC453487	AMC453456	PM-24-32



Date Produced: 11/18/2019

ConnectSuite Inc.:

The following is the delivery information for Certified Mail™/RRE item number 9214 8901 9403 8398 8701 57. Our records indicate that this item was delivered on 11/16/2019 at 02:50 p.m. in HUNTINGTON BEACH, CA 92648. The scanned image of the recipient information is provided below.

Signature of Recipient :

A handwritten signature in black ink, appearing to read "Stephen M. ...".

Address of Recipient :

A handwritten address in black ink, reading "121 WALNUT".

Thank you for selecting the Postal Service for your mailing needs. If you require additional assistance, please contact your local post office or Postal Service representative.

Sincerely,  
United States Postal Service

The customer reference number shown below is not validated or endorsed by the United States Postal Service. It is solely for customer use.

Customer Reference Number: C1744151.9937759



**NOTICE!!**

**These documents have been scanned!**

**Do not place un-scanned documents beneath this notice!**

**Do not remove this notice from this file!**

GPO Jacket No. 560-102  
Print Order 61540  
Rise Business Services, LLC  
Job=AZ15 5/21/2019



Box Number= AZ15074



Claim Begin-End: AMC453456-AMC453487

**3 Transfers**



AZ15074-30

AMC452850-AMC453499

**NO  
DOCUMENTS  
FOUND**

NO DOCUMENTS FOUND  
NO DOCUMENTS FOUND

**NOTICE!!**

**These documents have been scanned!**

**Do not place un-scanned documents beneath this notice!**

**Do not remove this notice from this file!**

GPO Jacket No. 560-102  
Print Order 61540  
Rise Business Services, LLC  
Job=AZ15 5/21/2019



Box Number= AZ15074



Claim Begin-End: AMC453456-AMC453487

**4 Annual Filings**



AZ15074-30

AMC452850-AMC453499

**NO  
DOCUMENTS  
FOUND**

NO DOCUMENTS FOUND  
NO DOCUMENTS FOUND

**NOTICE!!**

**These documents have been scanned!**

**Do not place un-scanned documents beneath this notice!**

**Do not remove this notice from this file!**

GPO Jacket No. 560-102  
Print Order 61540  
Rise Business Services, LLC  
Job=AZ15 5/21/2019



Box Number= AZ15074



Claim Begin-End: AMC453456-AMC453487

**5 Miscellaneous**



AZ15074-30

AMC452850-AMC453499

**COPY**

**BLM Letter**

Dear BLM,

Enclosed is a check to pay for (32) Mining Claim location notices.

if you have any questions, please call the number below,

thank you very much,



---

**Panos D. Giannetis**  
**16772 W. Bell Rd #110-417**  
**Surprise, AZ 85374**  
**(310)365-0783**

RECEIVED  
BLM AZ STATE OFFICE  
2019 FEB 11 P 1:51  
PHOENIX, ARIZONA

**NOTICE!!**

**These documents have been scanned!**

**Do not place un-scanned documents beneath this notice!**

**Do not remove this notice from this file!**

GPO Jacket No. 560-102  
Print Order 61540  
Rise Business Services, LLC  
Job=AZ15 5/21/2019



Box Number= AZ15074



Claim Begin-End: AMC453456-AMC453487

**6 Location Notices-Amendments and Supporting Documents**



AZ15074-30

AMC452850-AMC453499

# MINING CLAIM STATUS REPORT

Data Entered: 2/25/19 Ram

MTP Checked By: 2/25/19 Ram  
GEO Checked By: 2/25/19 Ram

LEAD SERIAL NUMBER: AMC 453456 thru AMC 453487

### NUMBER OF CLAIMS & TYPE:

32 LODE  
PLACER  
ASSOCIATION PLACER  
MILL SITE  
TUNNEL SITE

### CHARGES:

Processing Fee @ \$20 = \$ 640  
Location Fee @ \$37 = \$ 1,184  
Maintenance Fee @ \$155 = \$ 4,960  
Add'l Maint Fee for Assoc Placer = \$ \_\_\_\_\_  
SUBTOTAL \$ \_\_\_\_\_  
Other Fees \$ \_\_\_\_\_  
Other Fees \$ \_\_\_\_\_  
TOTAL \$ 6,784

TOTAL ACREAGE: \_\_\_\_\_ Per Claim  
(Placer Only)

NUMBER OF LOCATORS: \_\_\_\_\_

DOCUMENTS RECEIVED VIA: Over-the-Counter [ ] Mail [  ] TIMELY FILED: Yes [  ] No [ ]

LEGAL DESCRIPTION: T 3N R 19W SEC 24  
T \_\_\_\_\_ R \_\_\_\_\_ SEC \_\_\_\_\_  
T \_\_\_\_\_ R \_\_\_\_\_ SEC \_\_\_\_\_  
T \_\_\_\_\_ R \_\_\_\_\_ SEC \_\_\_\_\_  
T \_\_\_\_\_ R \_\_\_\_\_ SEC \_\_\_\_\_

BLM [ ] FOREST SERVICE [ ] SUBJ TO PL 359: Yes [ ] No [ ]  
WILDERNESS AREA [ ]

SPLIT ESTATE: N/A [ ] SX [ ] PX [ ] OTHER [ ]  
SRHA [ ] Was proper Notice filed if located on SHRA Land? Yes [ ] No [ ]

RECONVEYED MINERALS ON BLM LAND REQUIRE OPENING ORDER FROM 1944 TO 1993:  
Open to Entry On \_\_\_\_\_ N/A [ ]

COMMENTS/STATUS: VOID [ ] PARTIALLY VOID [ ] PVT MINERALS [ ] WITHDRAWN LANDS [ ]  
OTHER [ ]

AMC 453456

[ ] Claimant acknowledges that portions of the following claim(s) site(s) may be void or voidable.

Printed Name of Claimant \_\_\_\_\_ Signature of Claimant \_\_\_\_\_

\*\*\*\*\*FINAL ADJUDICATION\*\*\*\*\*

DATE \_\_\_\_\_ INITIALS \_\_\_\_\_



County Recorder Space:

Plomosa Mining, Inc.  
C/O Stephen Martindale  
121 Walnut Ave  
Huntington Beach, CA 92648  
(410)262-9260

---

## LOCATION NOTICE PLACER MINING CLAIM

NOTICE IS HEREBY GIVEN that the **PM-24-1** placer mining claim has been

Located by Plomosa Mining, Inc. whose current mailing address is; 121 Walnut Ave, Huntington Beach CA 92648.

The general course of the claim is north to south and is situated in La Paz County, Arizona.

This claim is 1320' feet in length and 660' feet in width. This claim runs from the location monument on which this location notice is posted. This claim is marked by four monuments, one at each corner of the claim. The location monument on which this Notice is posted is situated within:

Township 3 North, Range 19 West, Section 24, Quarter Section: W1/2 NW1/4 NW1/4

La Paz County, Arizona. Gila & Salt River Base and Meridian. This claim is 20 acres in size.

---

The locality of this claim with reference to some natural object or permanent monument and additional information (if any) concerning its locality is as follows: Section Marker and natural stone with wood post.

Dated and posted on the ground this 25<sup>TH</sup> day of November, 2018.

Plomosa Mining, Inc.:

  
Stephen Martindale-President

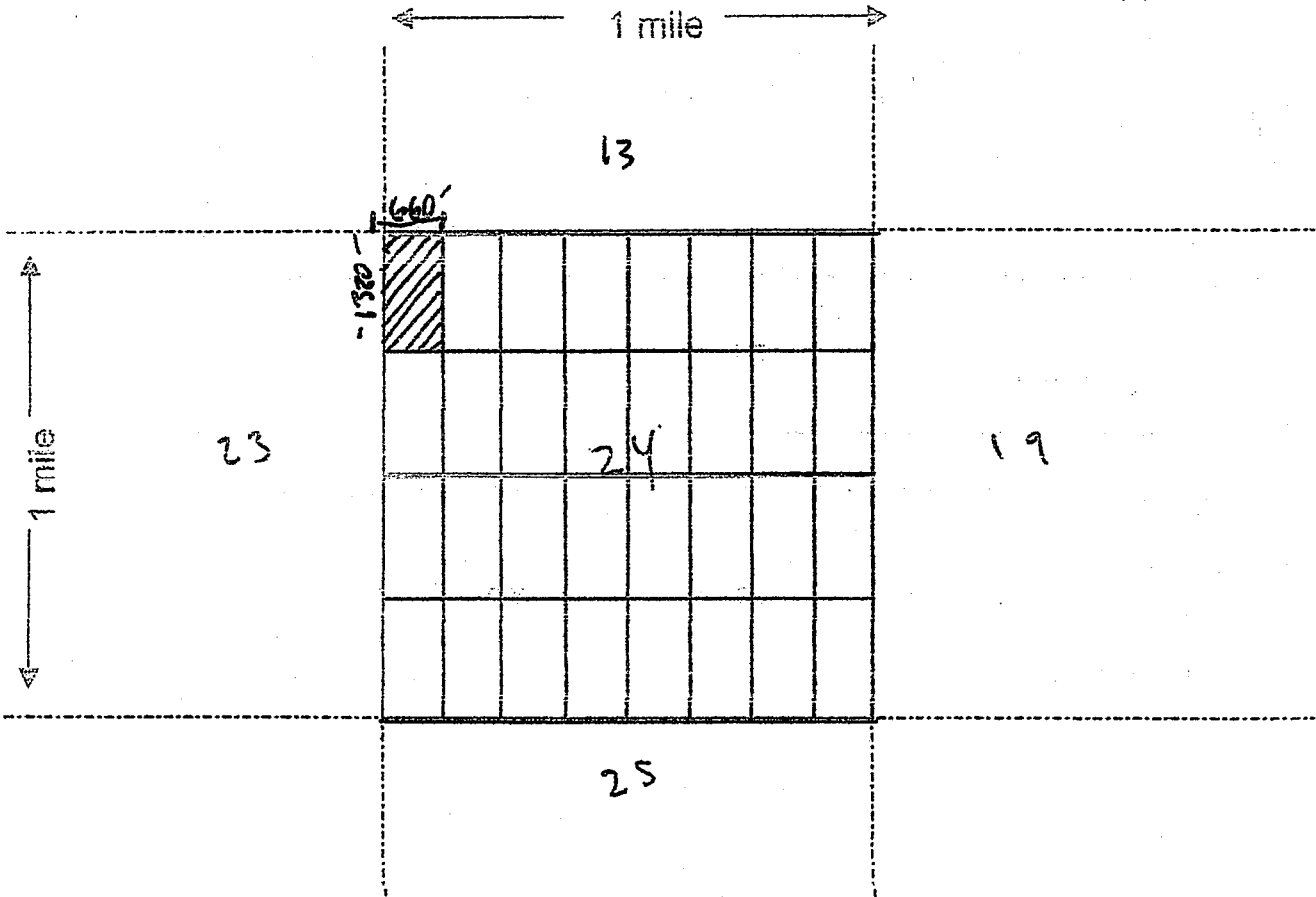
RECEIVED  
BLM AZ STATE OFFICE  
2019 FEB 11 P 1:51  
PHOENIX, ARIZONA

AMC453456

Map on reverse side

**MINING CLAIM MAP**

Lode ( ) Placer (X)



Scale : 1" = 2000 feet



1. The above map depicts the PM-24-1 mining claim, which is located in Section (s) 24, Township 3 North, Range 19 West, Gila & Salt Base Line Meridian, LA PAZ County, Arizona.

2. The type of corner and location monuments used are as follows: 2"X 2" Wood Post

3. The bearings and distances in degrees and feet between claim corners are as depicted on the map.

County Recorder Space:

Plomosa Mining, Inc.  
C/O Stephen Martindale  
121 Walnut Ave  
Huntington Beach, CA 92648  
(410)262-9260

---

## LOCATION NOTICE PLACER MINING CLAIM

NOTICE IS HEREBY GIVEN that the **PM-24-2** placer mining claim has been

Located by Plomosa Mining, Inc. whose current mailing address is; 121 Walnut Ave, Huntington Beach CA 92648.

The general course of the claim is north to south and is situated in La Paz County, Arizona.

This claim is 1320' feet in length and 660' feet in width. This claim runs from the location monument on which this location notice is posted. This claim is marked by four monuments, one at each corner of the claim. The location monument on which this Notice is posted is situated within:

Township 3 North, Range 19 West, Section 24, Quarter Section: E1/2 NW1/4 NW1/4

La Paz County, Arizona. Gila & Salt River Base and Meridian. This claim is 20 acres in size.

---

The locality of this claim with reference to some natural object or permanent monument and additional information (if any) concerning its locality is as follows: Section Marker and natural stone with wood post.

Dated and posted on the ground this 25<sup>TH</sup> day of November, 2018.

Plomosa Mining, Inc.:

  
Stephen Martindale-President

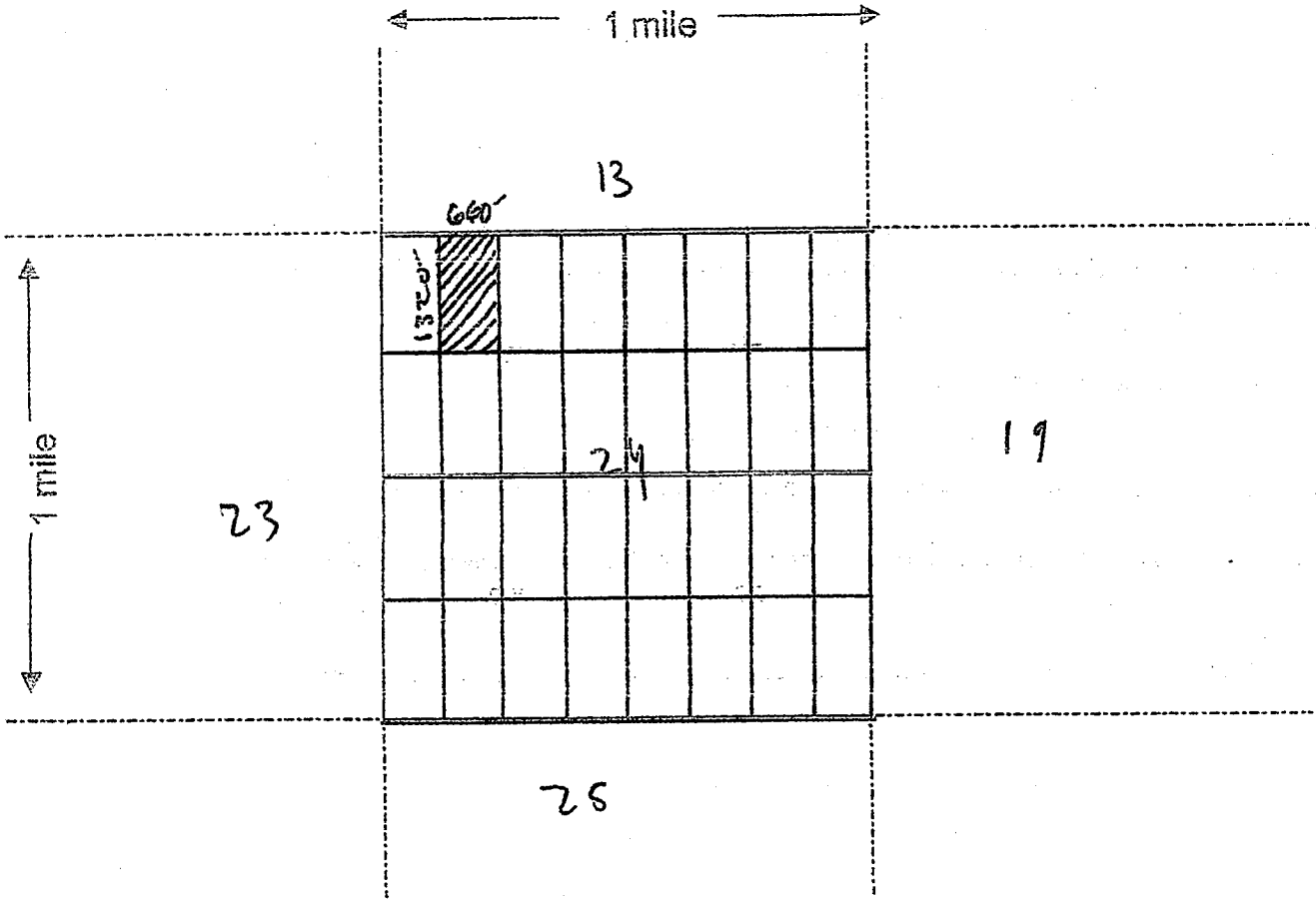
RECEIVED  
BLM AZ STATE OFFICE  
2019 FEB 11 P 1:51  
PHOENIX, ARIZONA

AMC453457

Map on reverse side

**MINING CLAIM MAP**

Lode ( ) Placer (X)



Scale : 1" = 2000 feet



1. The above map depicts the PM-24-2 mining claim, which is located in Section (s)

24, Township 3 North Range 19 West, Gila & Salt Base Line Meridian,

LA PAZ County, Arizona.

2. The type of corner and location monuments used are as follows: 2"X 2" Wood Post

3. The bearings and distances in degrees and feet between claim corners are as depicted on the map.

County Recorder Space:

Plomosa Mining, Inc.  
C/O Stephen Martindale  
121 Walnut Ave  
Huntington Beach, CA 92648  
(410)262-9260

---

## LOCATION NOTICE PLACER MINING CLAIM

NOTICE IS HEREBY GIVEN that the **PM-24-3** placer mining claim has been

Located by Plomosa Mining, Inc. whose current mailing address is; **121 Walnut Ave, Huntington Beach CA 92648.**

The general course of the claim is north to south and is situated in La Paz County, Arizona.

This claim is **1320'** feet in length and **660'** feet in width. This claim runs from the location monument on which this location notice is posted. This claim is marked by four monuments, one at each corner of the claim. The location monument on which this Notice is posted is situated within:

Township 3 North, Range 19 West, Section 24, Quarter Section: **W1/2 NE1/4 NW1/4**

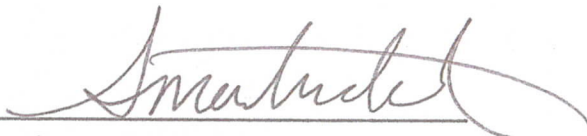
La Paz County, Arizona. Gila & Salt River Base and Meridian. This claim is **20 acres** in size.

---

The locality of this claim with reference to some natural object or permanent monument and additional information (if any) concerning its locality is as follows: **Section Marker and natural stone with wood post.**

Dated and posted on the ground this **25<sup>TH</sup>** day of November, 2018.

Plomosa Mining, Inc.:

  
Stephen Martindale-President

PHOENIX, ARIZONA

2019 FEB 11 P 1:51

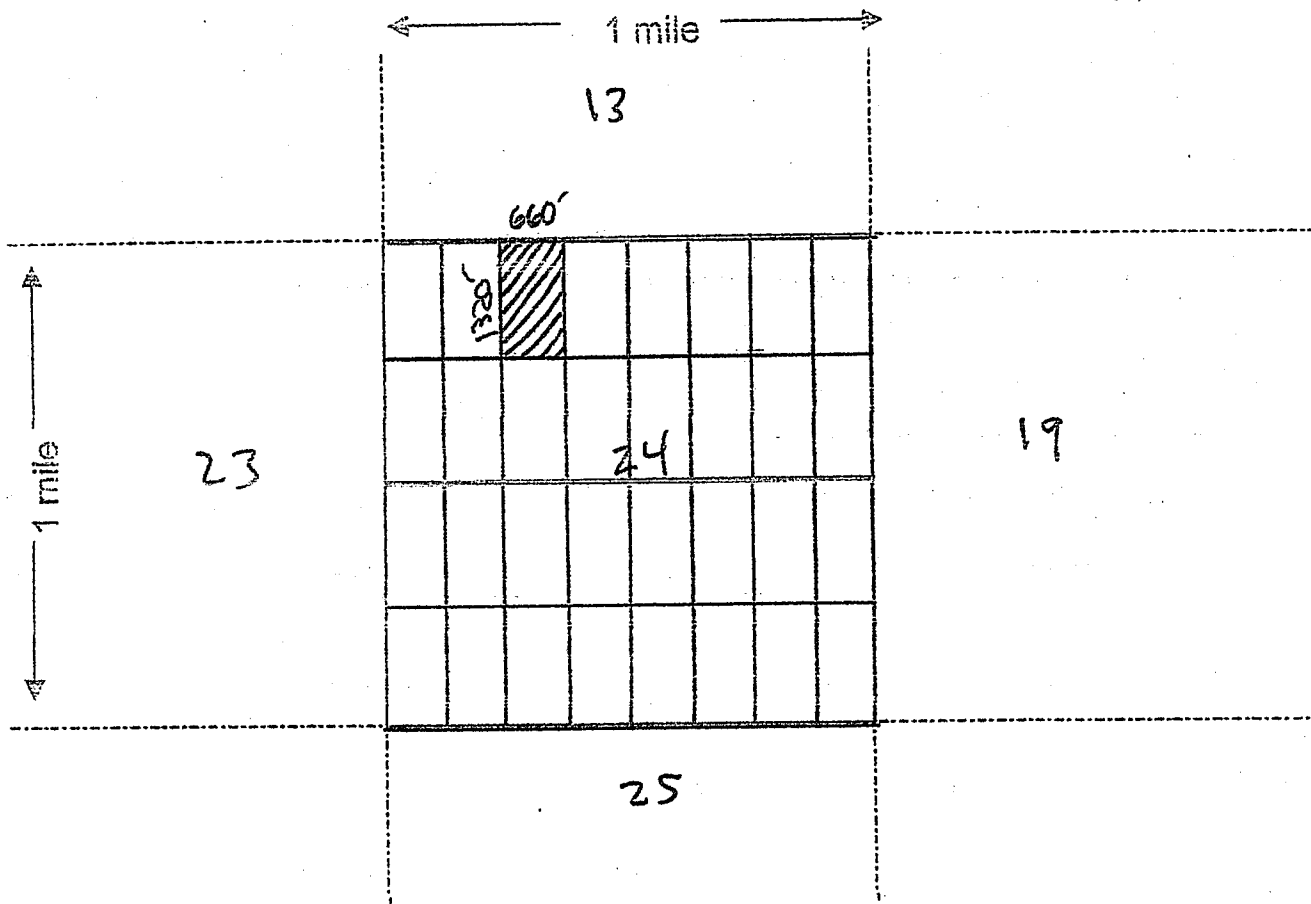
RECEIVED  
BLM AZ STATE OFFICE

AMC453458

Map on reverse side

**MINING CLAIM MAP**

Lode ( ) Placer (X)



Scale : 1" = 2000 feet



1. The above map depicts the PM-24-3 mining claim, which is located in Section (s) 24, Township 3 North, Range 19 West, Gila & Salt Base Line Meridian, LA PAZ County, Arizona.

2. The type of corner and location monuments used are as follows: 2"X 2" Wood Post

3. The bearings and distances in degrees and feet between claim corners are as depicted on the map.

County Recorder Space:

Plomosa Mining, Inc.  
C/O Stephen Martindale  
121 Walnut Ave  
Huntington Beach, CA 92648  
(410)262-9260

---

## LOCATION NOTICE PLACER MINING CLAIM

NOTICE IS HEREBY GIVEN that the **PM-24-4** placer mining claim has been

Located by Plomosa Mining, Inc. whose current mailing address is; 121 Walnut Ave, Huntington Beach CA 92648.  
The general course of the claim is north to south and is situated in La Paz County, Arizona.

This claim is 1320' feet in length and 660' feet in width. This claim runs from the location monument on which this location notice is posted. This claim is marked by four monuments, one at each corner of the claim. The location monument on which this Notice is posted is situated within:

Township 3 North, Range 19 West, Section 24, Quarter Section: E 1/2 NE1/4 NW1/4

La Paz County, Arizona. Gila & Salt River Base and Meridian. This claim is 20 acres in size.

---

The locality of this claim with reference to some natural object or permanent monument and additional information (if any) concerning its locality is as follows: Section Marker and natural stone with wood post.

Dated and posted on the ground this 25<sup>TH</sup> day of November, 2018.

Plomosa Mining, Inc.:

  
Stephen Martindale-President

PHOENIX, ARIZONA

2019 FEB 11 P 1:51

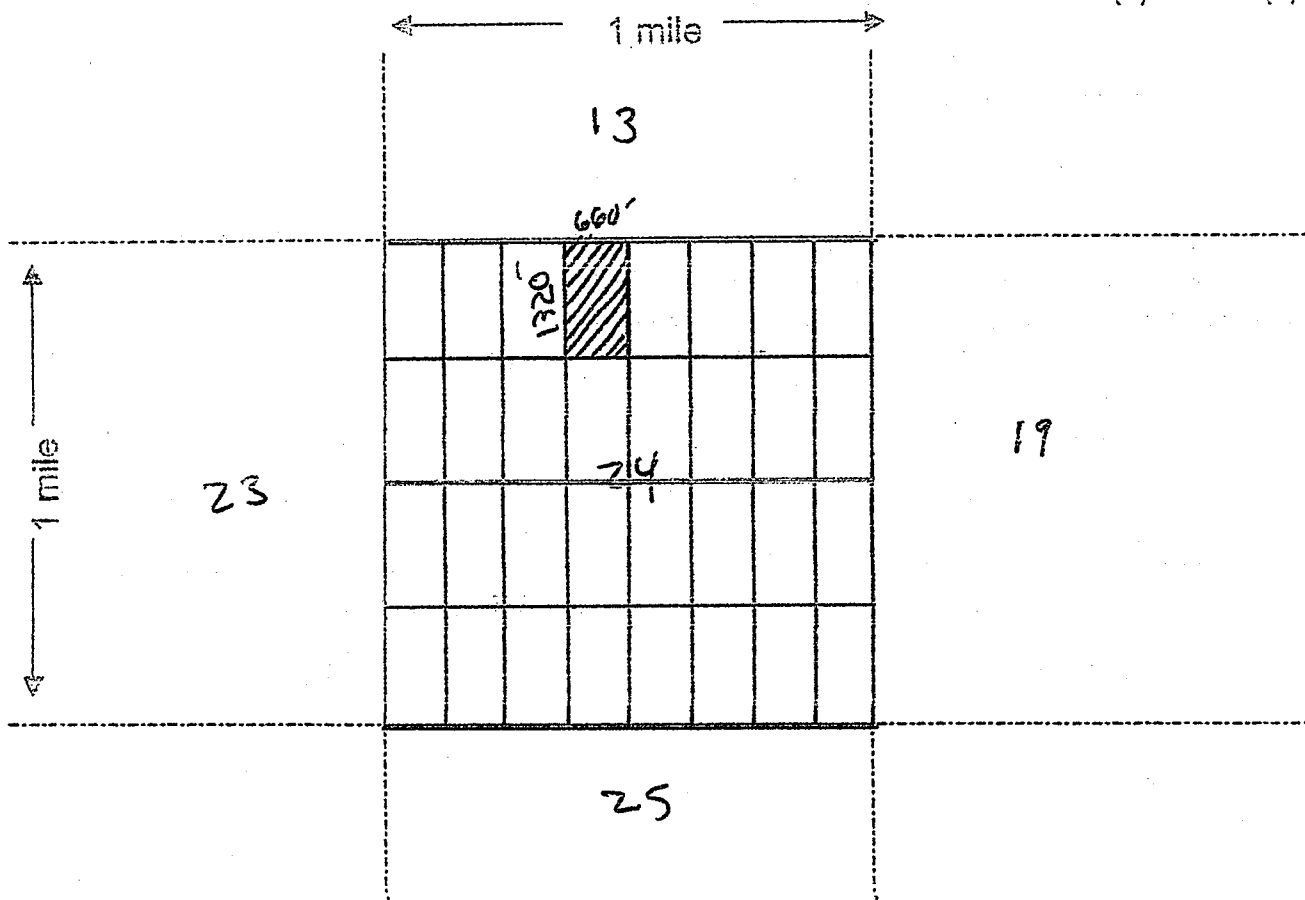
RECEIVED  
BLM AZ STATE OFFICE

AMC 453459

Map on reverse side

**MINING CLAIM MAP**

Lode ( ) Placer (X)



Scale : 1" = 2000 feet



1. The above map depicts the PM-24-4 mining claim, which is located in Section (s) 24, Township 3 North, Range 19 West, Gila & Salt Base Line Meridian, LA PAZ County, Arizona.

2. The type of corner and location monuments used are as follows: 2"X 2" Wood Post

3. The bearings and distances in degrees and feet between claim corners are as depicted on the map.



County Recorder Space:

Plomosa Mining, Inc.  
C/O Stephen Martindale  
121 Walnut Ave  
Huntington Beach, CA 92648  
(410)262-9260

---

## LOCATION NOTICE PLACER MINING CLAIM

NOTICE IS HEREBY GIVEN that the **PM-24-5** placer mining claim has been

Located by Plomosa Mining, Inc. whose current mailing address is; 121 Walnut Ave, Huntington Beach CA 92648.

The general course of the claim is north to south and is situated in La Paz County, Arizona.

This claim is 1320' feet in length and 660' feet in width. This claim runs from the location monument on which this location notice is posted. This claim is marked by four monuments, one at each corner of the claim. The location monument on which this Notice is posted is situated within:

Township 3 North, Range 19 West, Section 24, Quarter Section: W 1/2 SW1/4 NW1/4

La Paz County, Arizona. Gila & Salt River Base and Meridian. This claim is 20 acres in size.

---

The locality of this claim with reference to some natural object or permanent monument and additional information (if any) concerning its locality is as follows: Section Marker and natural stone with wood post.

Dated and posted on the ground this 25<sup>TH</sup> day of November, 2018.

Plomosa Mining, Inc.:

  
Stephen Martindale-President

PHOENIX, ARIZONA

2019 FEB 11 P 1:51

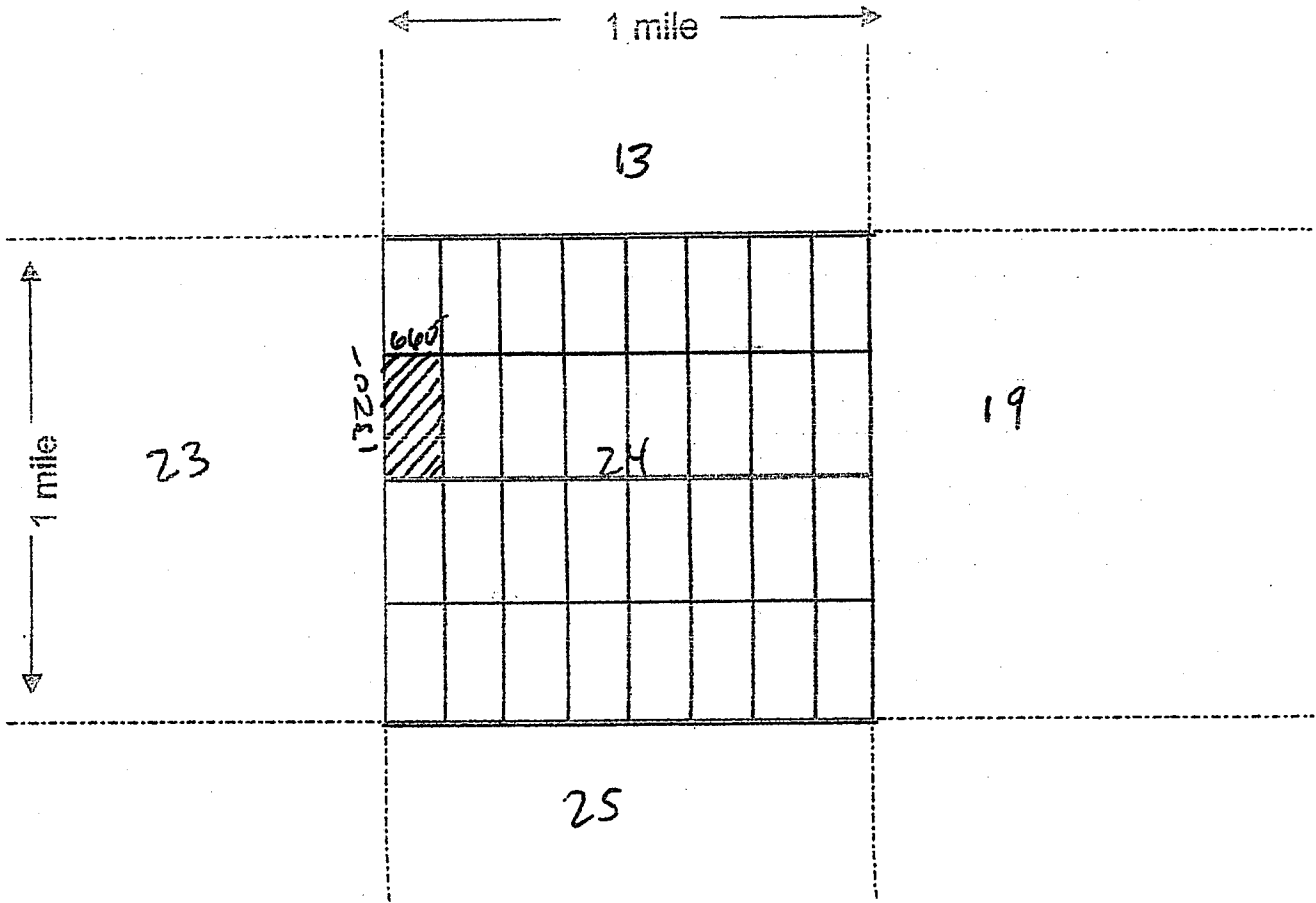
RECEIVED  
BLM AZ STATE OFFICE

AMC453460

Map on reverse side

**MINING CLAIM MAP**

Lode ( ) Placer (X)



Scale : 1" = 2000 feet



1. The above map depicts the PM-24-5 mining claim, which is located in Section (s)

24, Township 3 North, Range 19 West, Gila & Salt Base Line Meridian,

LA PAZ County, Arizona.

2. The type of corner and location monuments used are as follows: 2"X 2" Wood Post

3. The bearings and distances in degrees and feet between claim corners are as depicted on the map.

County Recorder Space:

Plomosa Mining, Inc.  
C/O Stephen Martindale  
121 Walnut Ave  
Huntington Beach, CA 92648  
(410)262-9260

---

## LOCATION NOTICE PLACER MINING CLAIM

NOTICE IS HEREBY GIVEN that the **PM-24-6** placer mining claim has been

Located by Plomosa Mining, Inc. whose current mailing address is; 121 Walnut Ave, Huntington Beach CA 92648.

The general course of the claim is north to south and is situated in La Paz County, Arizona.

This claim is 1320' feet in length and 660' feet in width. This claim runs from the location monument on which this location notice is posted. This claim is marked by four monuments, one at each corner of the claim. The location monument on which this Notice is posted is situated within:

Township 3 North, Range 19 West, Section 24, Quarter Section: E 1/2 SW1/4 NW1/4

La Paz County, Arizona. Gila & Salt River Base and Meridian. This claim is 20 acres in size.

---

The locality of this claim with reference to some natural object or permanent monument and additional information (if any) concerning its locality is as follows: Section Marker and natural stone with wood post.

Dated and posted on the ground this 25<sup>TH</sup> day of November, 2018.

Plomosa Mining, Inc.:

  
Stephen Martindale-President

PHOENIX, ARIZONA

2019 FEB 11 P 1:52

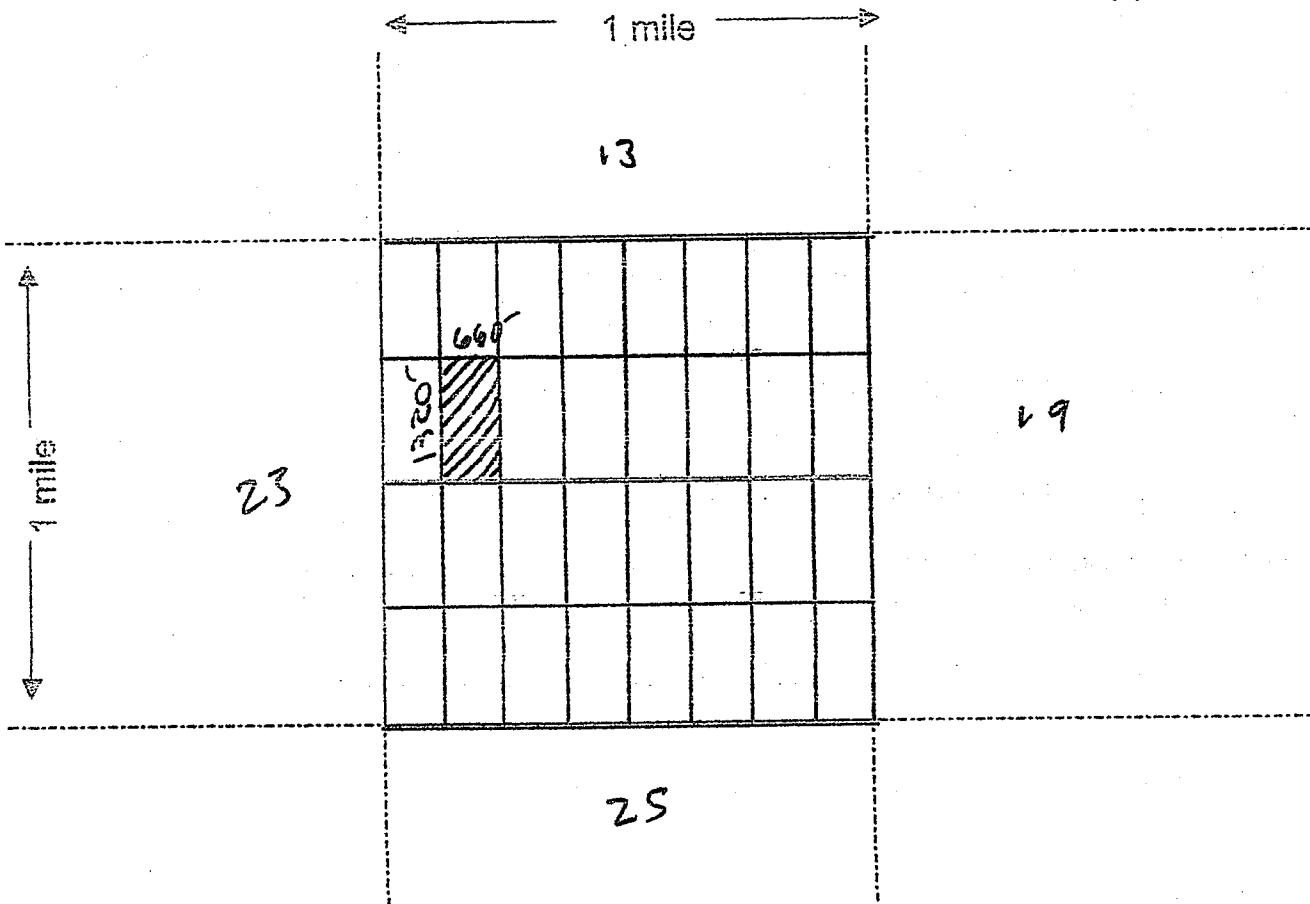
RECEIVED  
BLM AZ STATE OFFICE

AMC4534611

Map on reverse side

**MINING CLAIM MAP**

Lode ( ) Placer (X)



Scale : 1" = 2000 feet



1. The above map depicts the PM-24-6 mining claim, which is located in Section (s) 24, Township 3 North, Range 19 West, Gila & Salt Base Line Meridian, LA PAZ County, Arizona.

2. The type of corner and location monuments used are as follows: 2"X 2" Wood Post

3. The bearings and distances in degrees and feet between claim corners are as depicted on the map.

County Recorder Space:

Plomosa Mining, Inc.  
C/O Stephen Martindale  
121 Walnut Ave  
Huntington Beach, CA 92648  
(410)262-9260

## LOCATION NOTICE PLACER MINING CLAIM

NOTICE IS HEREBY GIVEN that the **PM-24-7** placer mining claim has been

Located by Plomosa Mining, Inc. whose current mailing address is; 121 Walnut Ave, Huntington Beach CA 92648. The general course of the claim is north to south and is situated in La Paz County, Arizona.

This claim is 1320' feet in length and 660' feet in width. This claim runs from the location monument on which this location notice is posted. This claim is marked by four monuments, one at each corner of the claim. The location monument on which this Notice is posted is situated within:

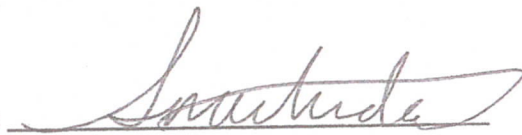
Township 3 North, Range 19 West, Section 24, Quarter Section: W1/2 SE1/4 NW1/4

La Paz County, Arizona. Gila & Salt River Base and Meridian. This claim is 20 acres in size.

The locality of this claim with reference to some natural object or permanent monument and additional information (if any) concerning its locality is as follows: Section Marker and natural stone with wood post.

Dated and posted on the ground this 25<sup>TH</sup> day of November, 2018.

Plomosa Mining, Inc.:



Stephen Martindale-President

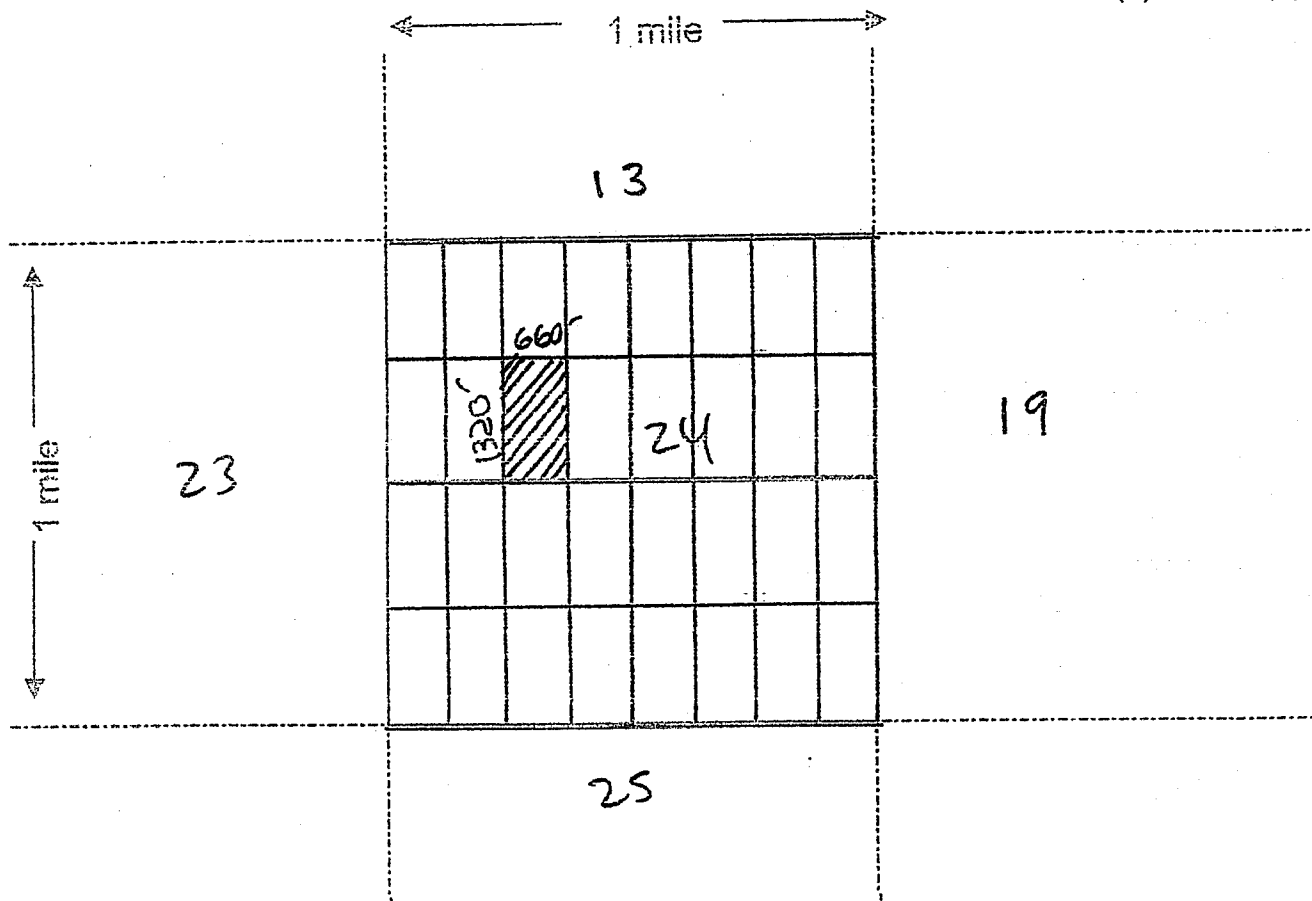
RECEIVED  
BLM AZ STATE OFFICE  
2019 FEB 11 P 1:52  
PHOENIX, ARIZONA

AMC453462

Map on reverse side

**MINING CLAIM MAP**

Lode ( ) Placer (X)



Scale : 1" = 2000 feet



1. The above map depicts the PM-24-7 mining claim, which is located in Section (s) 24, Township 3 North, Range 19 West, Gila & Salt Base Line Meridian, LA PAZ County, Arizona.

2. The type of corner and location monuments used are as follows: 2"X 2" Wood Post

3. The bearings and distances in degrees and feet between claim corners are as depicted on the map.

County Recorder Space:

Plomosa Mining, Inc.  
C/O Stephen Martindale  
121 Walnut Ave  
Huntington Beach, CA 92648  
(410)262-9260

---

## LOCATION NOTICE PLACER MINING CLAIM

NOTICE IS HEREBY GIVEN that the **PM-24-8** placer mining claim has been

Located by Plomosa Mining, Inc. whose current mailing address is; 121 Walnut Ave, Huntington Beach CA 92648.

The general course of the claim is north to south and is situated in La Paz County, Arizona.

This claim is 1320' feet in length and 660' feet in width. This claim runs from the location monument on which this location notice is posted. This claim is marked by four monuments, one at each corner of the claim. The location monument on which this Notice is posted is situated within:

Township 3 North, Range 19 West, Section 24, Quarter Section: E1/2 SE1/4 NW1/4

La Paz County, Arizona. Gila & Salt River Base and Meridian. This claim is 20 acres in size.

---

The locality of this claim with reference to some natural object or permanent monument and additional information (if any) concerning its locality is as follows: Section Marker and natural stone with wood post.

Dated and posted on the ground this 25<sup>TH</sup> day of November, 2018.

Plomosa Mining, Inc.:

  
Stephen Martindale-President

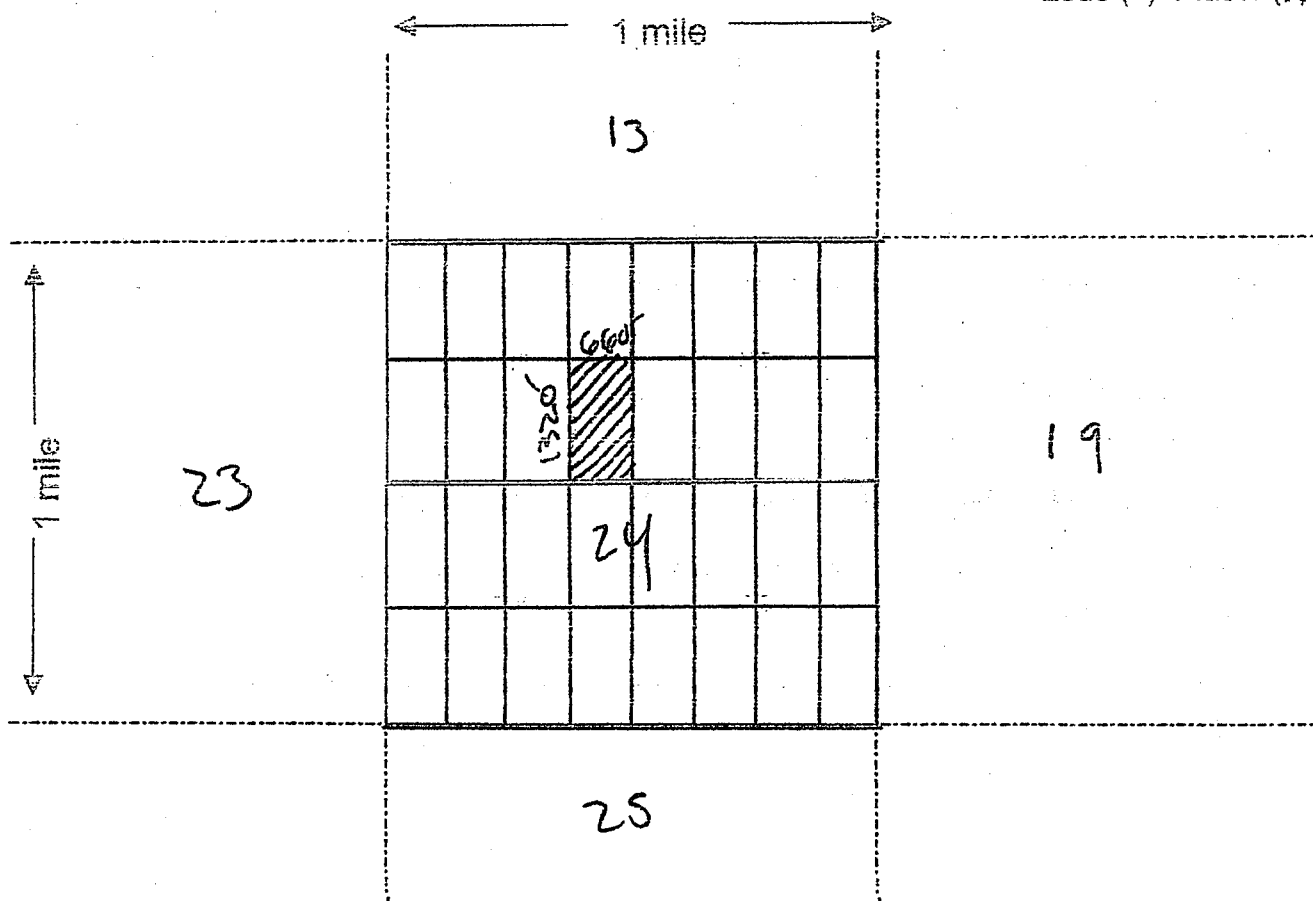
RECEIVED  
BLM AZ STATE OFFICE  
2019 FEB 11 P 1:52  
PHOENIX, ARIZONA

AMC 453468

Map on reverse side

**MINING CLAIM MAP**

Lode ( ) Placer (X)



Scale : 1" = 2000 feet



1. The above map depicts the PM-24-8 mining claim, which is located in Section (s) 24 Township 3 North Range 19 West Gila & Salt Base Line Meridian, LA PAZ County, Arizona.

2. The type of corner and location monuments used are as follows: 2"X 2" Wood Post

3. The bearings and distances in degrees and feet between claim corners are as depicted on the map.



County Recorder Space:

Plomosa Mining, Inc.  
C/O Stephen Martindale  
121 Walnut Ave  
Huntington Beach, CA 92648  
(410)262-9260

---

## LOCATION NOTICE PLACER MINING CLAIM

NOTICE IS HEREBY GIVEN that the **PM-24-9** placer mining claim has been

Located by Plomosa Mining, Inc. whose current mailing address is; 121 Walnut Ave, Huntington Beach CA 92648.

The general course of the claim is north to south and is situated in La Paz County, Arizona.

This claim is 1320' feet in length and 660' feet in width. This claim runs from the location monument on which this location notice is posted. This claim is marked by four monuments, one at each corner of the claim. The location monument on which this Notice is posted is situated within:

Township 3 North, Range 19 West, Section 24, Quarter Section: W1/2 NW1/4 NE1/4

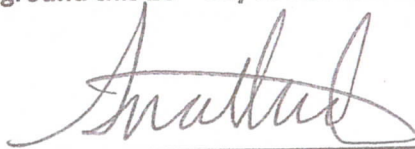
La Paz County, Arizona. Gila & Salt River Base and Meridian. This claim is 20 acres in size.

---

The locality of this claim with reference to some natural object or permanent monument and additional information (if any) concerning its locality is as follows: Section Marker and natural stone with wood post.

Dated and posted on the ground this 25<sup>TH</sup> day of November, 2018.

Plomosa Mining, Inc.:



Stephen Martindale-President

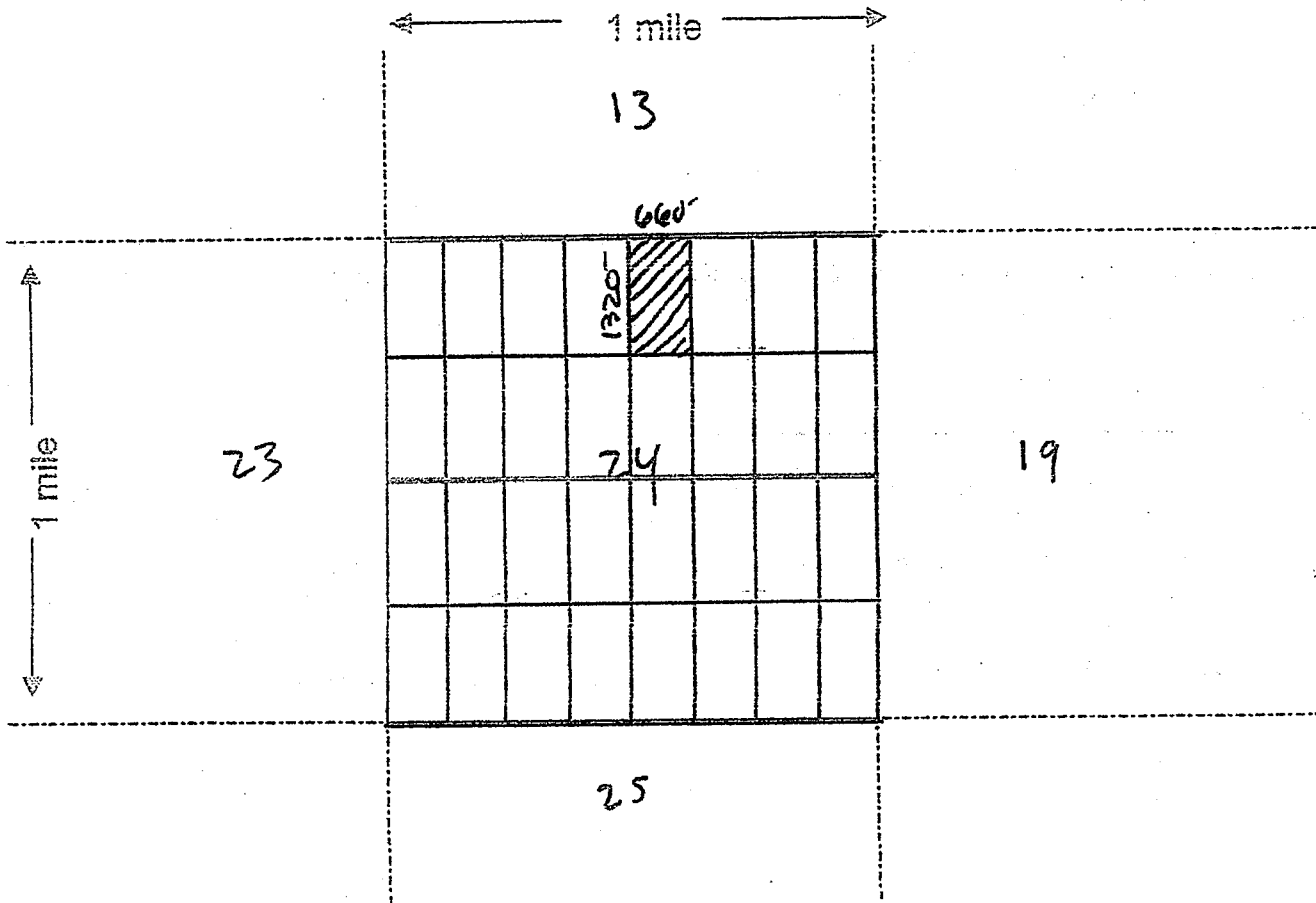
RECEIVED  
BLM AZ STATE OFFICE  
2019 FEB 11 P 1:52  
PHOENIX, ARIZONA

AMC 453464

Map on reverse side

MINING CLAIM MAP

Lode ( ) Placer (X)



Scale : 1" = 2000 feet



1. The above map depicts the PM-24-9 mining claim, which is located in Section (s) 24, Township 3 North, Range 19 West, Gila & Salt Base Line Meridian, LA PAZ County, Arizona.

2. The type of corner and location monuments used are as follows: 2"X 2" Wood Post

3. The bearings and distances in degrees and feet between claim corners are as depicted on the map.

County Recorder Space:

Plomosa Mining, Inc.  
C/O Stephen Martindale  
121 Walnut Ave  
Huntington Beach, CA 92648  
(410)262-9260

---

## LOCATION NOTICE PLACER MINING CLAIM

NOTICE IS HEREBY GIVEN that the **PM-24-10** placer mining claim has been

Located by Plomosa Mining, Inc. whose current mailing address is; 121 Walnut Ave, Huntington Beach CA 92648.  
The general course of the claim is north to south and is situated in La Paz County, Arizona.

This claim is 1320' feet in length and 660' feet in width. This claim runs from the location monument on which this location notice is posted. This claim is marked by four monuments, one at each corner of the claim. The location monument on which this Notice is posted is situated within:

Township 3 North, Range 19 West, Section 24, Quarter Section: E1/2 NW1/4 NE1/4

La Paz County, Arizona. Gila & Salt River Base and Meridian. This claim is 20 acres in size.

---

The locality of this claim with reference to some natural object or permanent monument and additional information (if any) concerning its locality is as follows: Section Marker and natural stone with wood post.

Dated and posted on the ground this 25<sup>TH</sup> day of November, 2018.

Plomosa Mining, Inc.:

  
Stephen Martindale-President

PHOENIX, ARIZONA

2019 FEB 11 P 1:52

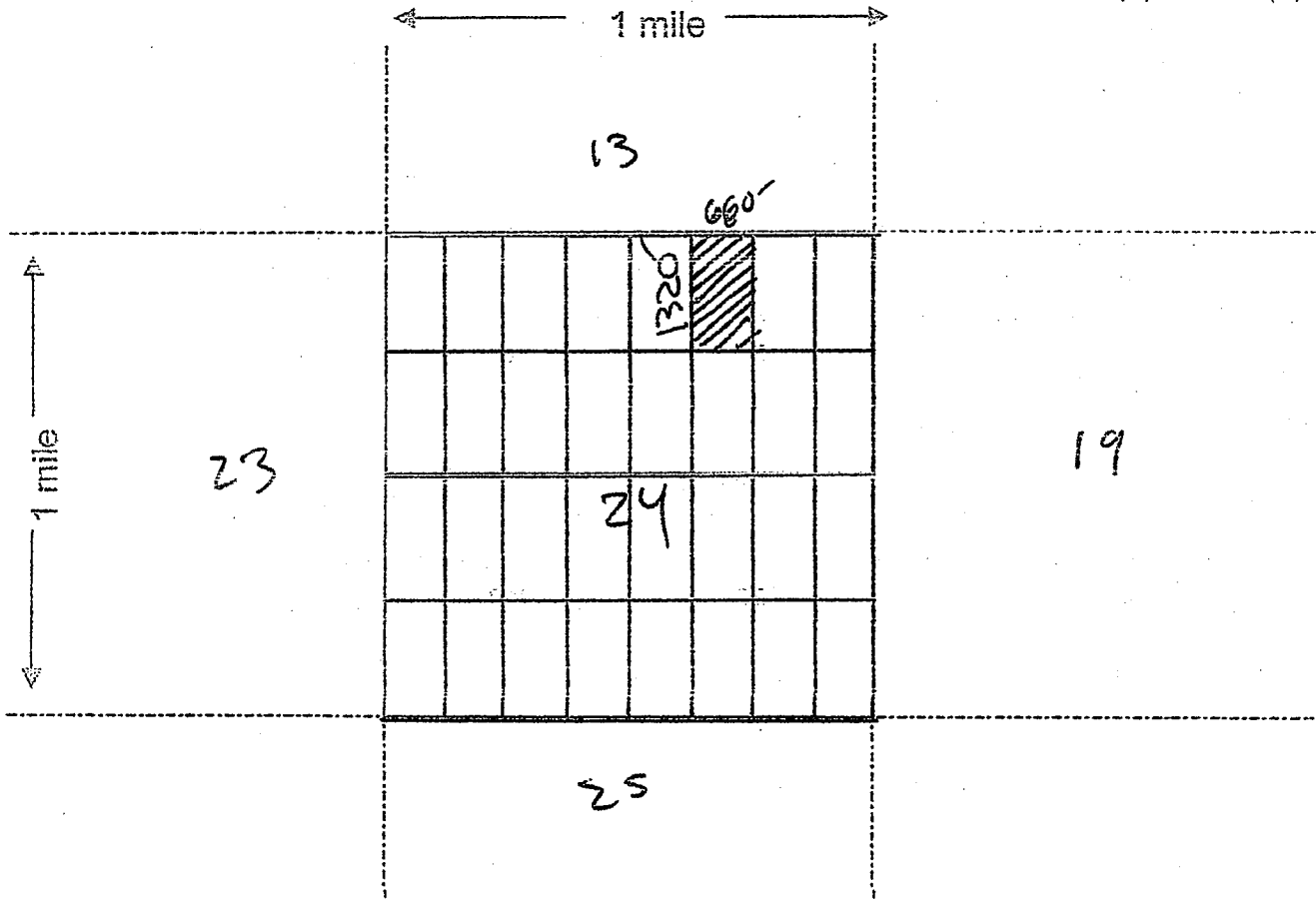
RECEIVED  
BLM AZ STATE OFFICE

AMC 453465

Map on reverse side

**MINING CLAIM MAP**

Lode ( ) Placer (X)



Scale : 1" = 2000 feet



1. The above map depicts the PM-24-10 mining claim, which is located in Section (s) 24, Township 3 North, Range 19 West, Gila & Salt Base Line Meridian, LA PAZ County, Arizona.

2. The type of corner and location monuments used are as follows: 2" X 2" Wood Post

3. The bearings and distances in degrees and feet between claim corners are as depicted on the map.

County Recorder Space:

Plomosa Mining, Inc.  
C/O Stephen Martindale  
121 Walnut Ave  
Huntington Beach, CA 92648  
(410)262-9260

---

## LOCATION NOTICE PLACER MINING CLAIM

NOTICE IS HEREBY GIVEN that the **PM-24-11** placer mining claim has been

Located by Plomosa Mining, Inc. whose current mailing address is; 121 Walnut Ave, Huntington Beach CA 92648.  
The general course of the claim is north to south and is situated in La Paz County, Arizona.

This claim is 1320' feet in length and 660' feet in width. This claim runs from the location monument on which this location notice is posted. This claim is marked by four monuments, one at each corner of the claim. The location monument on which this Notice is posted is situated within:

Township 3 North, Range 19 West, Section 24, Quarter Section: W1/2 NE1/4 NE1/4

La Paz County, Arizona. Gila & Salt River Base and Meridian. This claim is 20 acres in size.

The locality of this claim with reference to some natural object or permanent monument and additional information (if any) concerning its locality is as follows: Section Marker and natural stone with wood post.

Dated and posted on the ground this 25<sup>TH</sup> day of November, 2018.

Plomosa Mining, Inc.:

  
Stephen Martindale-President

PHOENIX, ARIZONA

2019 FEB 11 P 1:52

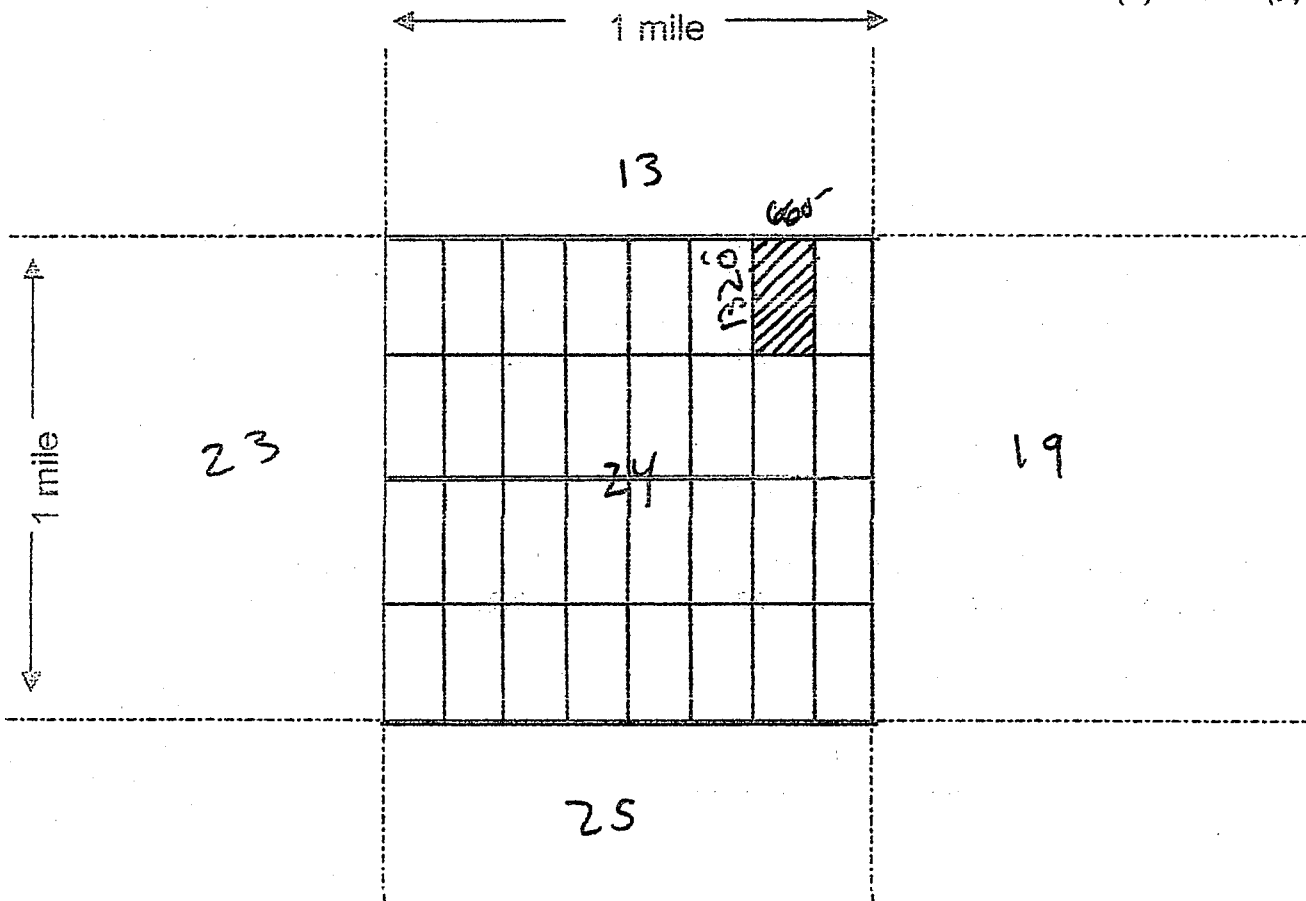
RECEIVED  
BLM AZ STATE OFFICE

AMC453466

Map on reverse side

MINING CLAIM MAP

Lode ( ) Placer (X)



Scale : 1" = 2000 feet



1. The above map depicts the PM-24-11 mining claim, which is located in Section (s) 24, Township 3 North, Range 19 West, Gila & Salt Base Line Meridian.

LA PAZ County, Arizona.

2. The type of corner and location monuments used are as follows: 2" X 2" Wood Post

3. The bearings and distances in degrees and feet between claim corners are as depicted on the map.

County Recorder Space:

Plomosa Mining, Inc.  
C/O Stephen Martindale  
121 Walnut Ave  
Huntington Beach, CA 92648  
(410)262-9260

## LOCATION NOTICE PLACER MINING CLAIM

NOTICE IS HEREBY GIVEN that the **PM-24-12** placer mining claim has been

Located by Plomosa Mining, Inc. whose current mailing address is; 121 Walnut Ave, Huntington Beach CA 92648.  
The general course of the claim is north to south and is situated in La Paz County, Arizona.

This claim is 1320' feet in length and 660' feet in width. This claim runs from the location monument on which this location notice is posted. This claim is marked by four monuments, one at each corner of the claim. The location monument on which this Notice is posted is situated within:

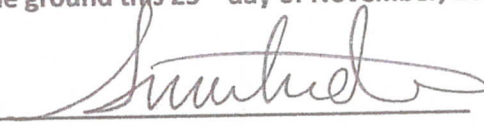
Township 3 North, Range 19 West, Section 24, Quarter Section: E1/2 NE1/4 NE1/4

La Paz County, Arizona. Gila & Salt River Base and Meridian. This claim is 20 acres in size.

The locality of this claim with reference to some natural object or permanent monument and additional information (if any) concerning its locality is as follows: Section Marker and natural stone with wood post.

Dated and posted on the ground this 25<sup>TH</sup> day of November, 2018.

Plomosa Mining, Inc.:

  
Stephen Martindale-President

PHOENIX, ARIZONA

2019 FEB 11 P 1:52

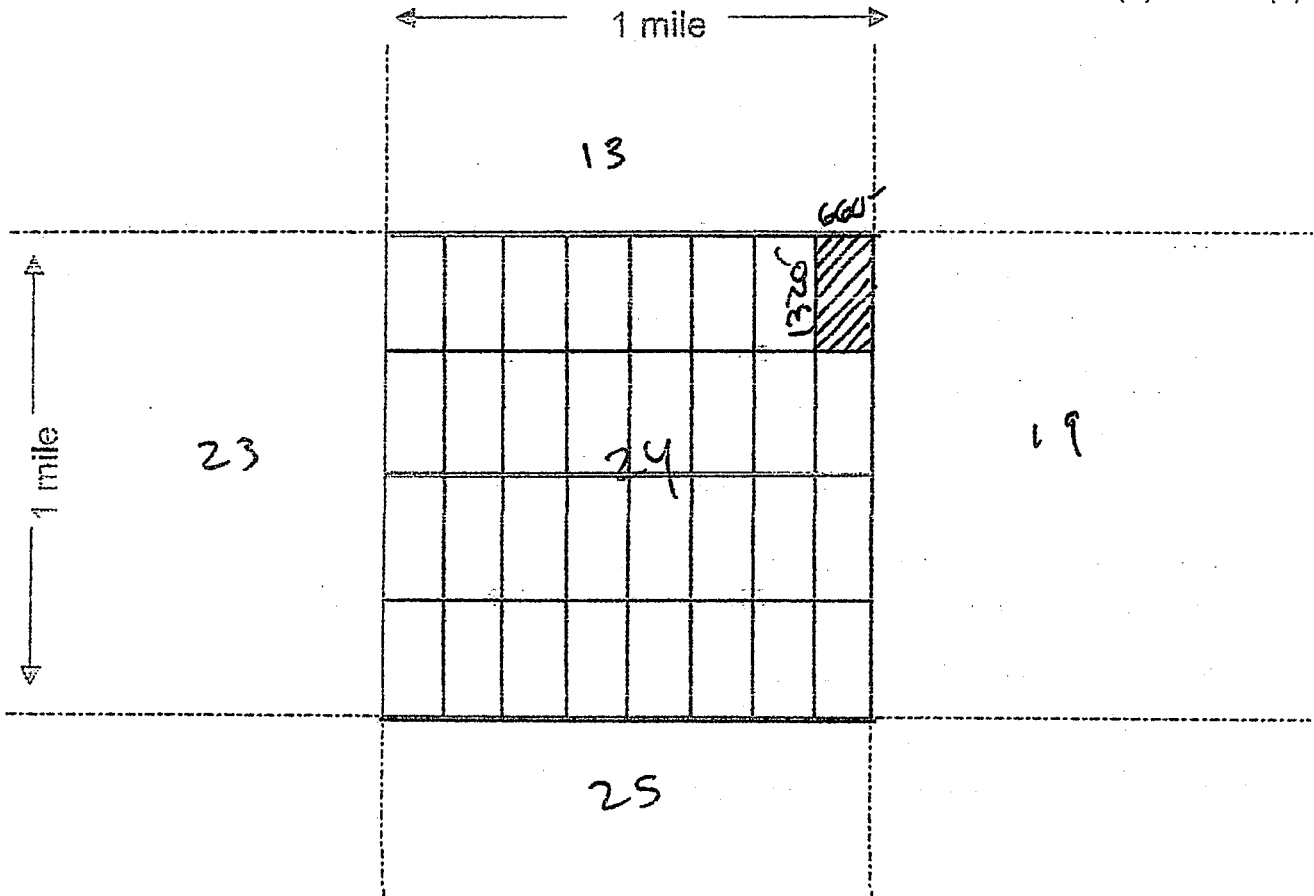
RECEIVED  
BLM AZ STATE OFFICE

AMC4534671

Map on reverse side

**MINING CLAIM MAP**

Lode ( ) Placer (X)



Scale : 1" = 2000 feet



1. The above map depicts the PM-24-12 mining claim, which is located in Section (s) 24, Township 3 North, Range 19 West, Gila & Salt Base Line Meridian,

LAPAZ County, Arizona.

2. The type of corner and location monuments used are as follows: 2"X 2" Wood Post

3. The bearings and distances in degrees and feet between claim corners are as depicted on the map.



County Recorder Space:

Plomosa Mining, Inc.  
C/O Stephen Martindale  
121 Walnut Ave  
Huntington Beach, CA 92648  
(410)262-9260

---

## LOCATION NOTICE PLACER MINING CLAIM

NOTICE IS HEREBY GIVEN that the **PM-24-13** placer mining claim has been

Located by Plomosa Mining, Inc. whose current mailing address is; 121 Walnut Ave, Huntington Beach CA 92648.  
The general course of the claim is north to south and is situated in La Paz County, Arizona.

This claim is 1320' feet in length and 660' feet in width. This claim runs from the location monument on which this location notice is posted. This claim is marked by four monuments, one at each corner of the claim. The location monument on which this Notice is posted is situated within:

Township 3 North, Range 19 West, Section 24, Quarter Section: W1/2 SW1/4 NE1/4

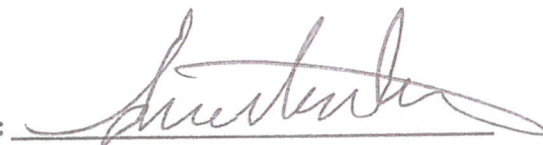
La Paz County, Arizona. Gila & Salt River Base and Meridian. This claim is 20 acres in size.

---

The locality of this claim with reference to some natural object or permanent monument and additional information (if any) concerning its locality is as follows: Section Marker and natural stone with wood post.

Dated and posted on the ground this 25<sup>TH</sup> day of November, 2018.

Plomosa Mining, Inc.:



Stephen Martindale-President

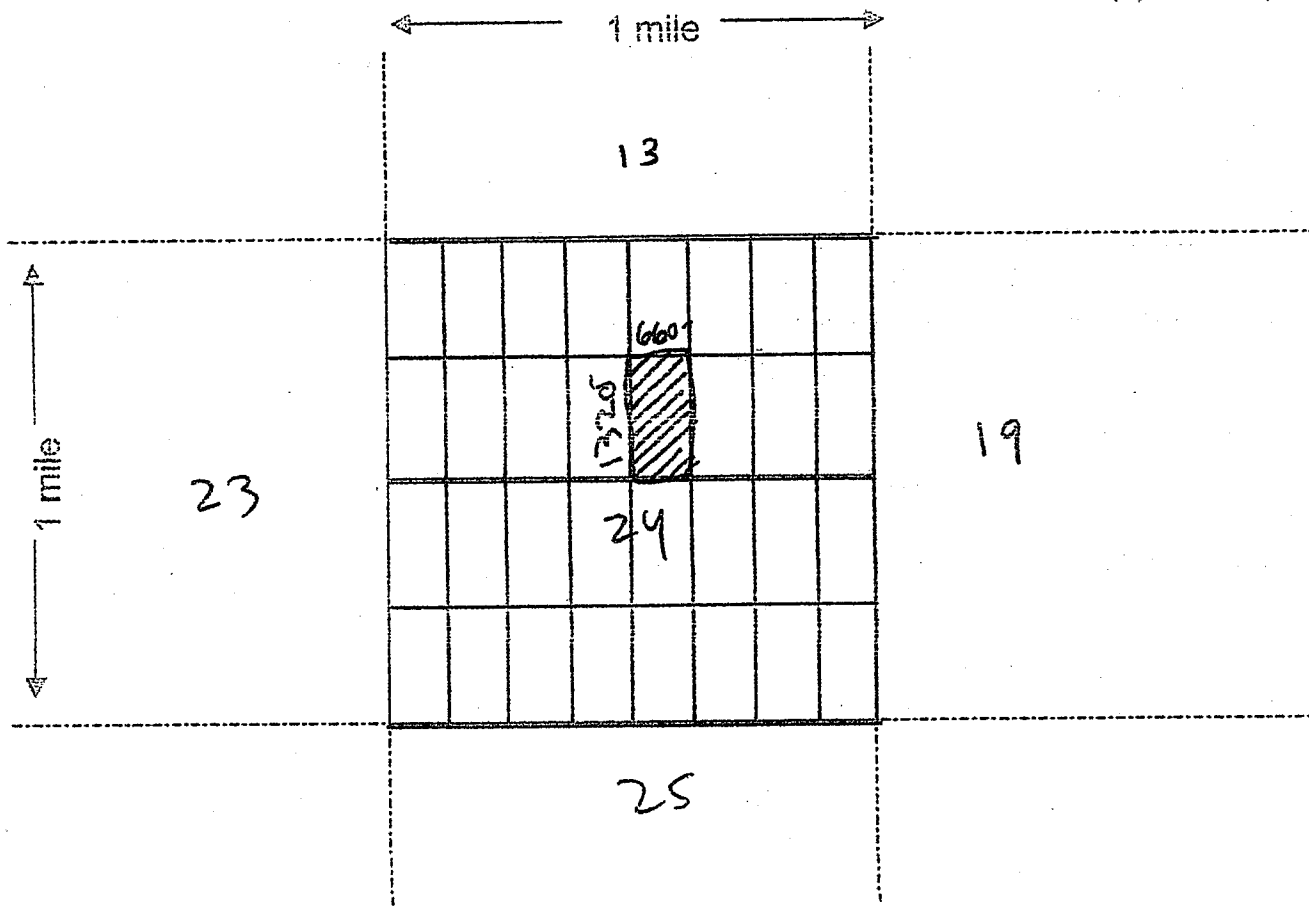
RECEIVED  
BLM AZ STATE OFFICE  
2019 FEB 11 P 1:52  
PHOENIX, ARIZONA

AMC453468

Map on reverse side

**MINING CLAIM MAP**

Lode ( ) Placer (X)



Scale : 1" = 2000 feet



1. The above map depicts the PM-24-13 mining claim, which is located in Section (s) 24, Township 3 North, Range 19 West, Gila & Salt Base Line Meridian, LA PAZ County, Arizona.

2. The type of corner and location monuments used are as follows: 2"X 2" Wood Post

3. The bearings and distances in degrees and feet between claim corners are as depicted on the map.

County Recorder Space:

Plomosa Mining, Inc.  
C/O Stephen Martindale  
121 Walnut Ave  
Huntington Beach, CA 92648  
(410)262-9260

---

## LOCATION NOTICE PLACER MINING CLAIM

NOTICE IS HEREBY GIVEN that the **PM-24-14** placer mining claim has been

Located by Plomosa Mining, Inc. whose current mailing address is; 121 Walnut Ave, Huntington Beach CA 92648.  
The general course of the claim is north to south and is situated in La Paz County, Arizona.

This claim is 1320' feet in length and 660' feet in width. This claim runs from the location monument on which this location notice is posted. This claim is marked by four monuments, one at each corner of the claim. The location monument on which this Notice is posted is situated within:

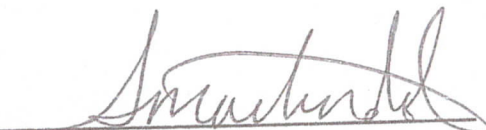
Township 3 North, Range 19 West, Section 24, Quarter Section: E1/2 SW1/4 NE1/4

La Paz County, Arizona. Gila & Salt River Base and Meridian. This claim is 20 acres in size.

The locality of this claim with reference to some natural object or permanent monument and additional information (if any) concerning its locality is as follows: Section Marker and natural stone with wood post.

Dated and posted on the ground this 25<sup>TH</sup> day of November, 2018.

Plomosa Mining, Inc.:

  
Stephen Martindale-President

PHOENIX, ARIZONA

2019 FEB 11 P 1:52

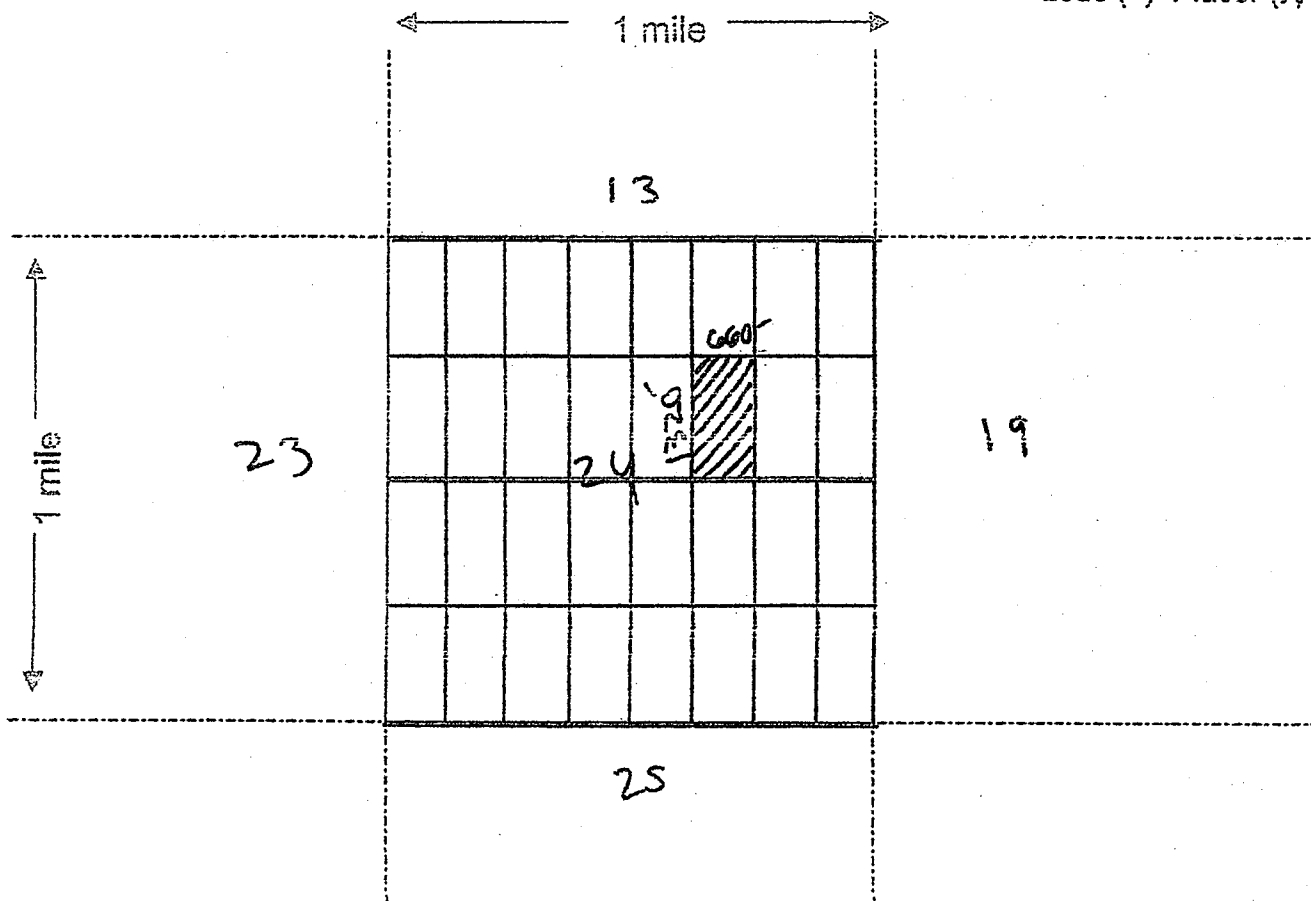
RECEIVED  
BLM AZ STATE OFFICE

AMC453469

Map on reverse side

**MINING CLAIM MAP**

Lode ( ) Placer (X)



Scale : 1" = 2000 feet



1. The above map depicts the PM-24-14 mining claim, which is located in Section (s) 24, Township 3 North, Range 19 West, Gila & Salt Base Line Meridian, LA PAZ County, Arizona.

2. The type of corner and location monuments used are as follows: 2"X 2" Wood Post

3. The bearings and distances in degrees and feet between claim corners are as depicted on the map.

County Recorder Space:

Plomosa Mining, Inc.  
C/O Stephen Martindale  
121 Walnut Ave  
Huntington Beach, CA 92648  
(410)262-9260

## LOCATION NOTICE PLACER MINING CLAIM

NOTICE IS HEREBY GIVEN that the **PM-24-15** placer mining claim has been

Located by Plomosa Mining, Inc. whose current mailing address is; 121 Walnut Ave, Huntington Beach CA 92648.

The general course of the claim is north to south and is situated in La Paz County, Arizona.

This claim is 1320' feet in length and 660' feet in width. This claim runs from the location monument on which this location notice is posted. This claim is marked by four monuments, one at each corner of the claim. The location monument on which this Notice is posted is situated within:

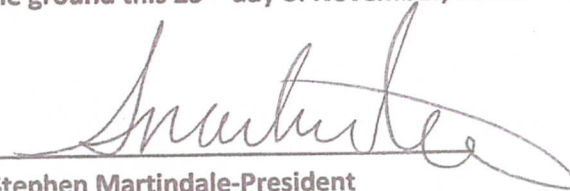
Township 3 North, Range 19 West, Section 24, Quarter Section: W1/2 SE1/4 NE1/4

La Paz County, Arizona. Gila & Salt River Base and Meridian. This claim is 20 acres in size.

The locality of this claim with reference to some natural object or permanent monument and additional information (if any) concerning its locality is as follows: Section Marker and natural stone with wood post.

Dated and posted on the ground this 25<sup>TH</sup> day of November, 2018.

Plomosa Mining, Inc.:

  
Stephen Martindale-President

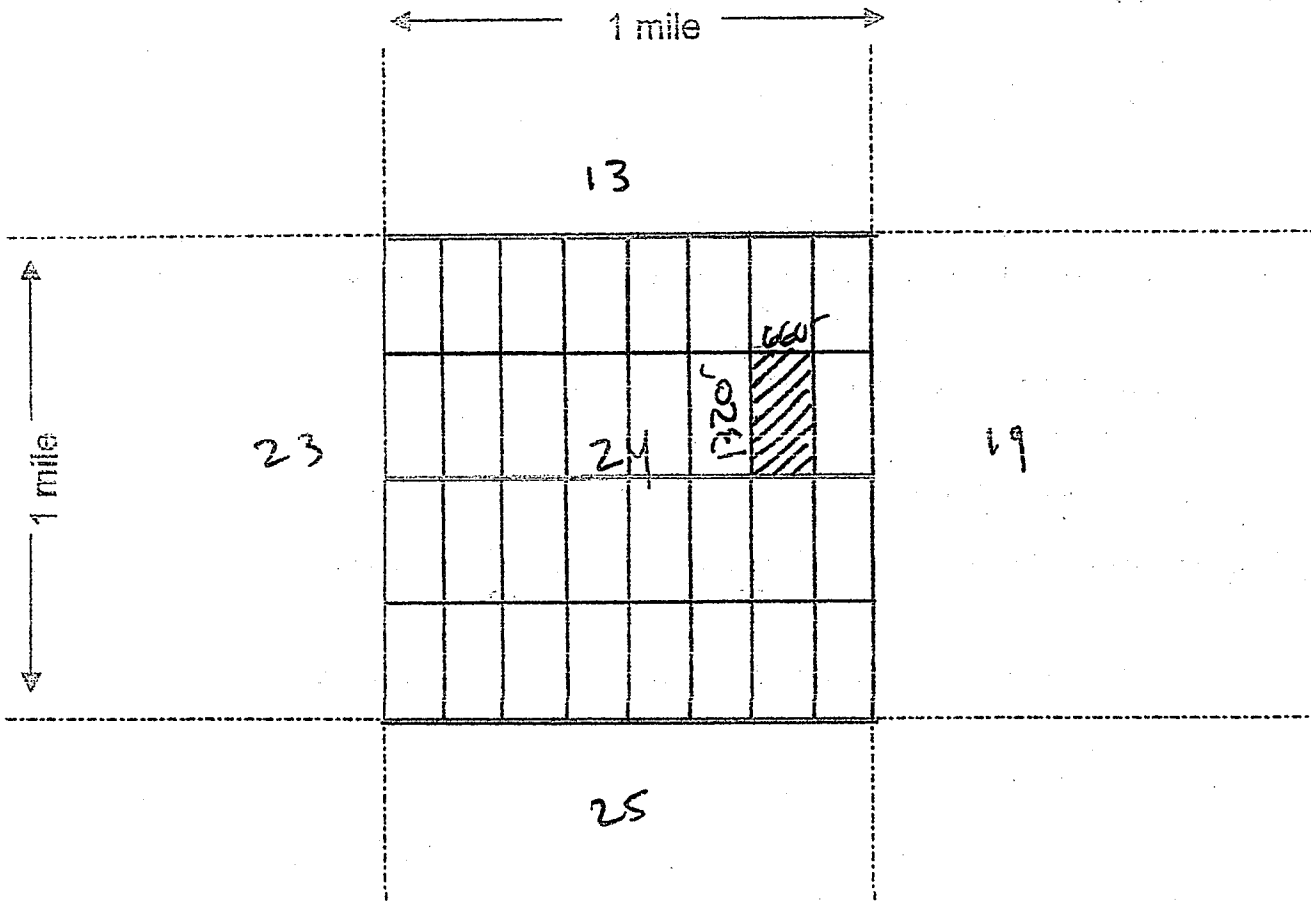
RECEIVED  
BLM AZ STATE OFFICE  
2019 FEB 11 P 1:52  
PHOENIX, ARIZONA

AMC453470

Map on reverse side

MINING CLAIM MAP

Lode ( ) Placer (X)



Scale : 1" = 2000 feet



- The above map depicts the PM-24-15 mining claim, which is located in Section (s) 24, Township 3 North Range 19 West, Gila & Salt Base Line Meridian, LAPAZ County, Arizona.
- The type of corner and location monuments used are as follows: 2"X 2" Wood Post
- The bearings and distances in degrees and feet between claim corners are as depicted on the map.

County Recorder Space:

Plomosa Mining, Inc.  
C/O Stephen Martindale  
121 Walnut Ave  
Huntington Beach, CA 92648  
(410)262-9260

---

## LOCATION NOTICE PLACER MINING CLAIM

NOTICE IS HEREBY GIVEN that the **PM-24-16** placer mining claim has been

Located by Plomosa Mining, Inc. whose current mailing address is; 121 Walnut Ave, Huntington Beach CA 92648.  
The general course of the claim is north to south and is situated in La Paz County, Arizona.

This claim is 1320' feet in length and 660' feet in width. This claim runs from the location monument on which this location notice is posted. This claim is marked by four monuments, one at each corner of the claim. The location monument on which this Notice is posted is situated within:

Township 3 North, Range 19 West, Section 24, Quarter Section: E1/2 SE1/4 NE1/4

La Paz County, Arizona. Gila & Salt River Base and Meridian. This claim is 20 acres in size.

---

The locality of this claim with reference to some natural object or permanent monument and additional information (if any) concerning its locality is as follows: Section Marker and natural stone with wood post.

Dated and posted on the ground this 25<sup>TH</sup> day of November, 2018.

Plomosa Mining, Inc.:

  
Stephen Martindale-President

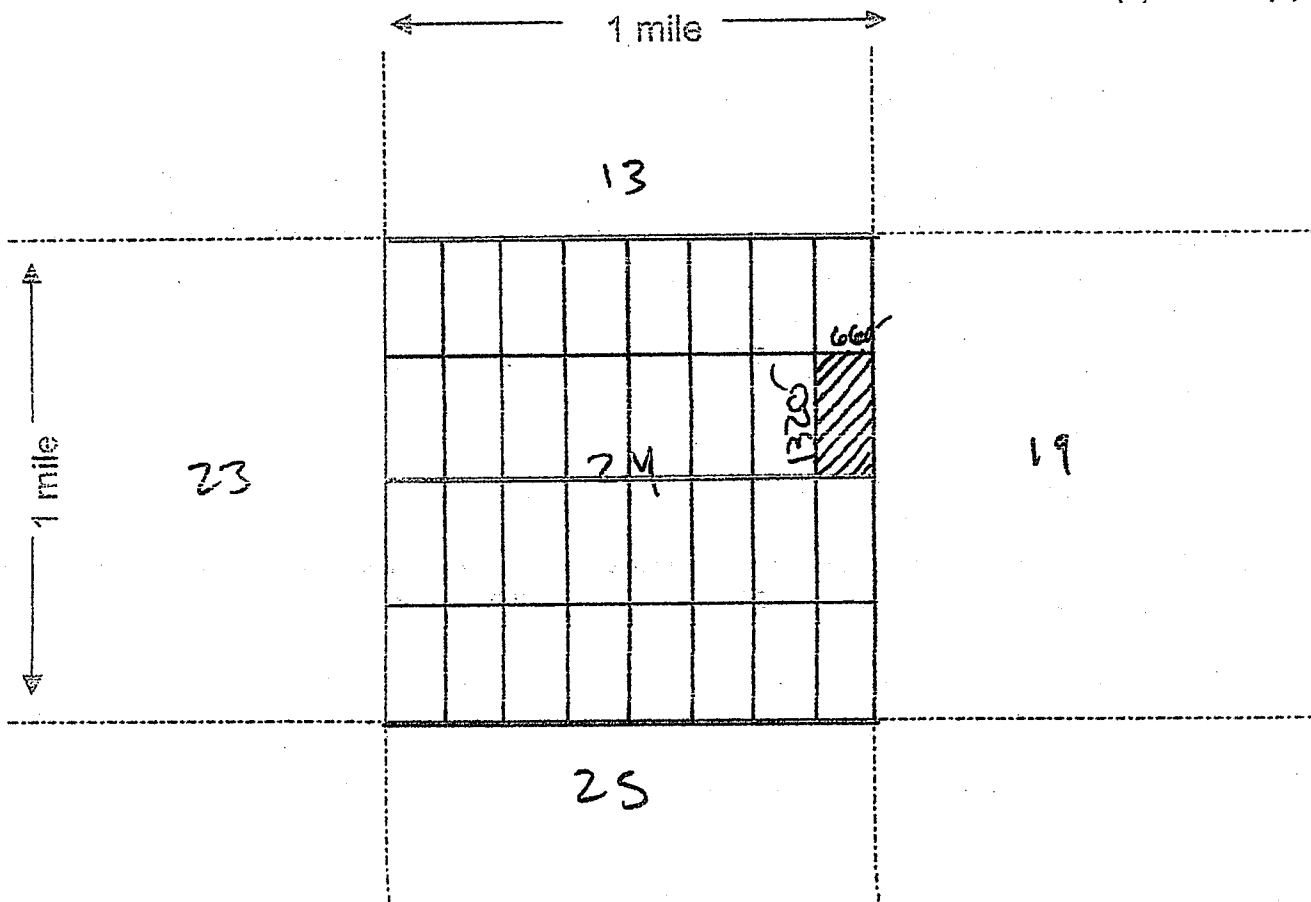
RECEIVED  
BLM AZ STATE OFFICE  
2019 FEB 11 P 1:52  
PHOENIX, ARIZONA

AMC4534711

Map on reverse side

**MINING CLAIM MAP**

Lode ( ) Placer (X)



Scale : 1" = 2000 feet



1. The above map depicts the PM-24-16 mining claim, which is located in Section (s) 24, Township 3 North Range 19 West, Gila & Salt Base Line Meridian, LA PAZ County, Arizona.

2. The type of corner and location monuments used are as follows: 2"X 2" Wood Post

3. The bearings and distances in degrees and feet between claim corners are as depicted on the map.



County Recorder Space:

Plomosa Mining, Inc.  
C/O Stephen Martindale  
121 Walnut Ave  
Huntington Beach, CA 92648  
(410)262-9260

---

## LOCATION NOTICE PLACER MINING CLAIM

NOTICE IS HEREBY GIVEN that the **PM-24-17** placer mining claim has been

Located by Plomosa Mining, Inc. whose current mailing address is; 121 Walnut Ave, Huntington Beach CA 92648.  
The general course of the claim is north to south and is situated in La Paz County, Arizona.

This claim is 1320' feet in length and 660' feet in width. This claim runs from the location monument on which this location notice is posted. This claim is marked by four monuments, one at each corner of the claim. The location monument on which this Notice is posted is situated within:

Township 3 North, Range 19 West, Section 24, Quarter Section: W1/2 NW1/4 SW1/4

La Paz County, Arizona. Gila & Salt River Base and Meridian. This claim is 20 acres in size.

---

The locality of this claim with reference to some natural object or permanent monument and additional information (if any) concerning its locality is as follows: Section Marker and natural stone with wood post.

Dated and posted on the ground this 25<sup>TH</sup> day of November, 2018.

Plomosa Mining, Inc.:

  
Stephen Martindale-President

PHOENIX, ARIZONA

2019 FEB 11 P 1:52

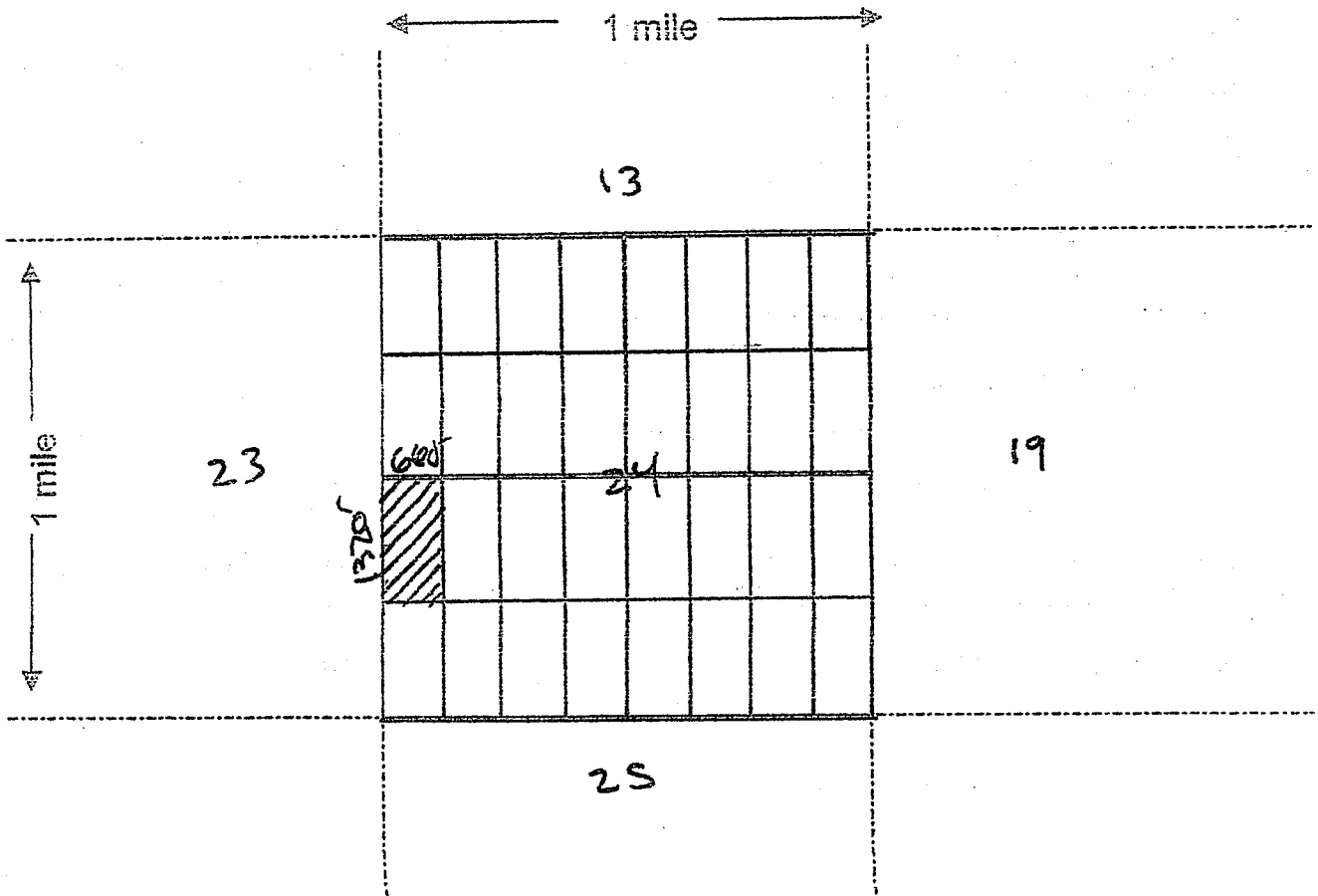
RECEIVED  
BLM AZ STATE OFFICE

AMC453472

Map on reverse side

**MINING CLAIM MAP**

Lode ( ) Placer (X)



Scale : 1" = 2000 feet



1. The above map depicts the PM-24-17 mining claim, which is located in Section (s) 24, Township 3 North, Range 19 West, Gila & Salt Base Line Meridian,

LA PAZ County, Arizona.

2. The type of corner and location monuments used are as follows: 2" X 2" Wood Post

3. The bearings and distances in degrees and feet between claim corners are as depicted on the map.

County Recorder Space:

Plomosa Mining, Inc.  
C/O Stephen Martindale  
121 Walnut Ave  
Huntington Beach, CA 92648  
(410)262-9260

## LOCATION NOTICE PLACER MINING CLAIM

NOTICE IS HEREBY GIVEN that the **PM-24-18** placer mining claim has been

Located by Plomosa Mining, Inc. whose current mailing address is; 121 Walnut Ave, Huntington Beach CA 92648.  
The general course of the claim is north to south and is situated in La Paz County, Arizona.

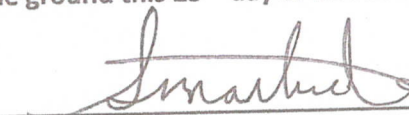
This claim is 1320' feet in length and 660' feet in width. This claim runs from the location monument on which this location notice is posted. This claim is marked by four monuments, one at each corner of the claim. The location monument on which this Notice is posted is situated within:

Township 3 North, Range 19 West, Section 24, Quarter Section: E1/2 NW1/4 SW1/4

La Paz County, Arizona. Gila & Salt River Base and Meridian. This claim is 20 acres in size.

The locality of this claim with reference to some natural object or permanent monument and additional information (if any) concerning its locality is as follows: Section Marker and natural stone with wood post.

Dated and posted on the ground this 25<sup>TH</sup> day of November, 2018.

Plomosa Mining, Inc.:   
Stephen Martindale-President

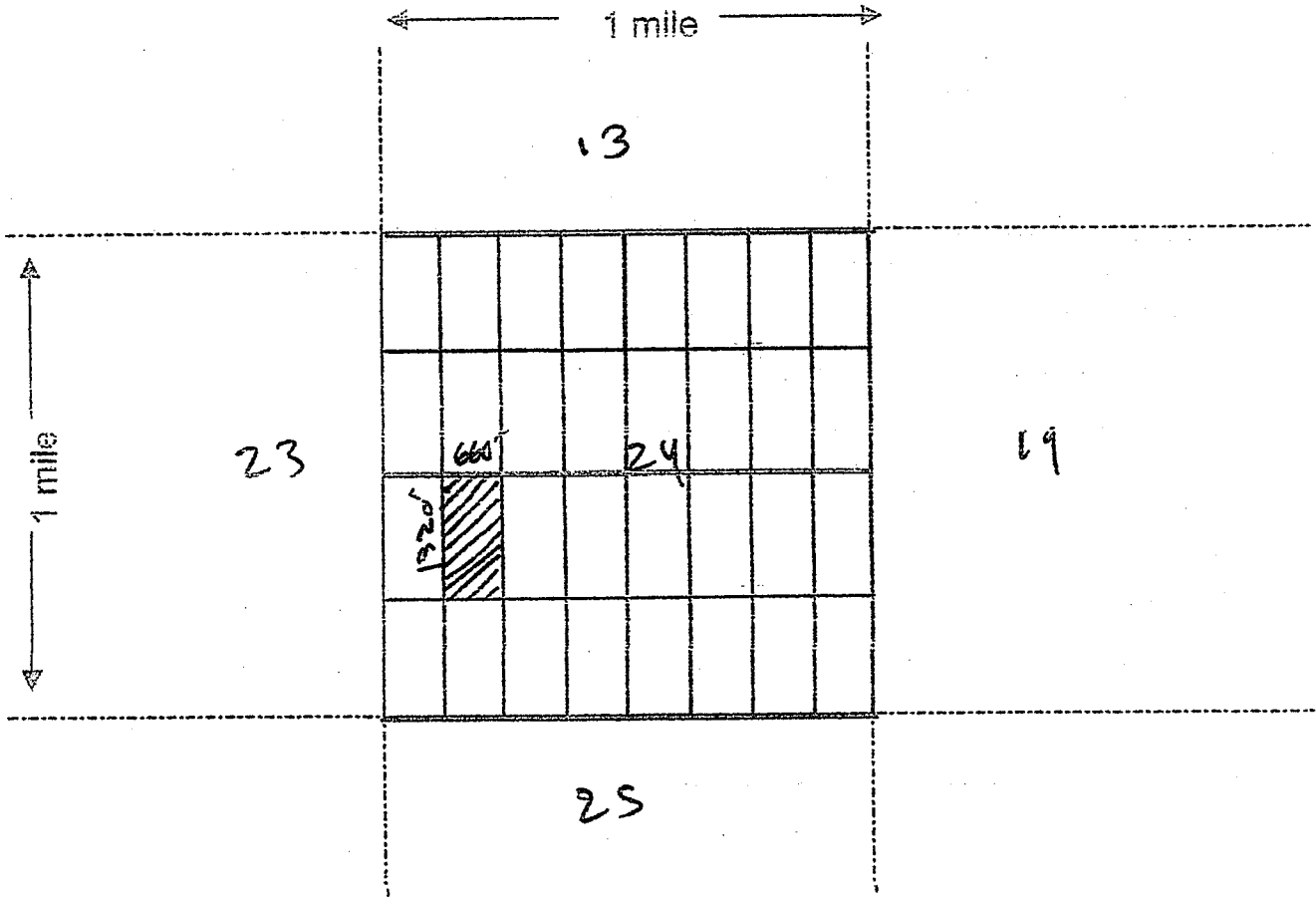
RECEIVED  
BLM AZ STATE OFFICE  
2019 FEB 11 P 1:52  
PHOENIX, ARIZONA

AMC453473

Map on reverse side

**MINING CLAIM MAP**

Lode ( ) Placer (X)



Scale : 1" = 2000 feet



1. The above map depicts the PM-24-18 mining claim, which is located in Section (s) 24, Township 3 North, Range 19 West, Gila & Salt Base Line Meridian, LA PAZ County, Arizona.

2. The type of corner and location monuments used are as follows: 2" X 2" Wood Post

3. The bearings and distances in degrees and feet between claim corners are as depicted on the map.

County Recorder Space:

Plomosa Mining, Inc.  
C/O Stephen Martindale  
121 Walnut Ave  
Huntington Beach, CA 92648  
(410)262-9260

---

## LOCATION NOTICE PLACER MINING CLAIM

NOTICE IS HEREBY GIVEN that the **PM-24-19** placer mining claim has been

Located by Plomosa Mining, Inc. whose current mailing address is; 121 Walnut Ave, Huntington Beach CA 92648.  
The general course of the claim is north to south and is situated in La Paz County, Arizona.

This claim is 1320' feet in length and 660' feet in width. This claim runs from the location monument on which this location notice is posted. This claim is marked by four monuments, one at each corner of the claim. The location monument on which this Notice is posted is situated within:

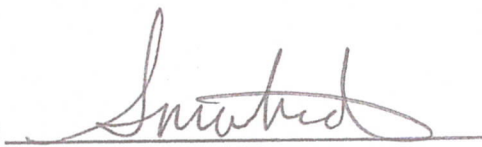
Township 3 North, Range 19 West, Section 24, Quarter Section: W1/2 NE1/4 SW1/4

La Paz County, Arizona. Gila & Salt River Base and Meridian. This claim is 20 acres in size.

The locality of this claim with reference to some natural object or permanent monument and additional information (if any) concerning its locality is as follows: Section Marker and natural stone with wood post.

Dated and posted on the ground this 25<sup>TH</sup> day of November, 2018.

Plomosa Mining, Inc.:

  
Stephen Martindale-President

PHOENIX, ARIZONA

2019 FEB 11 P 1:52

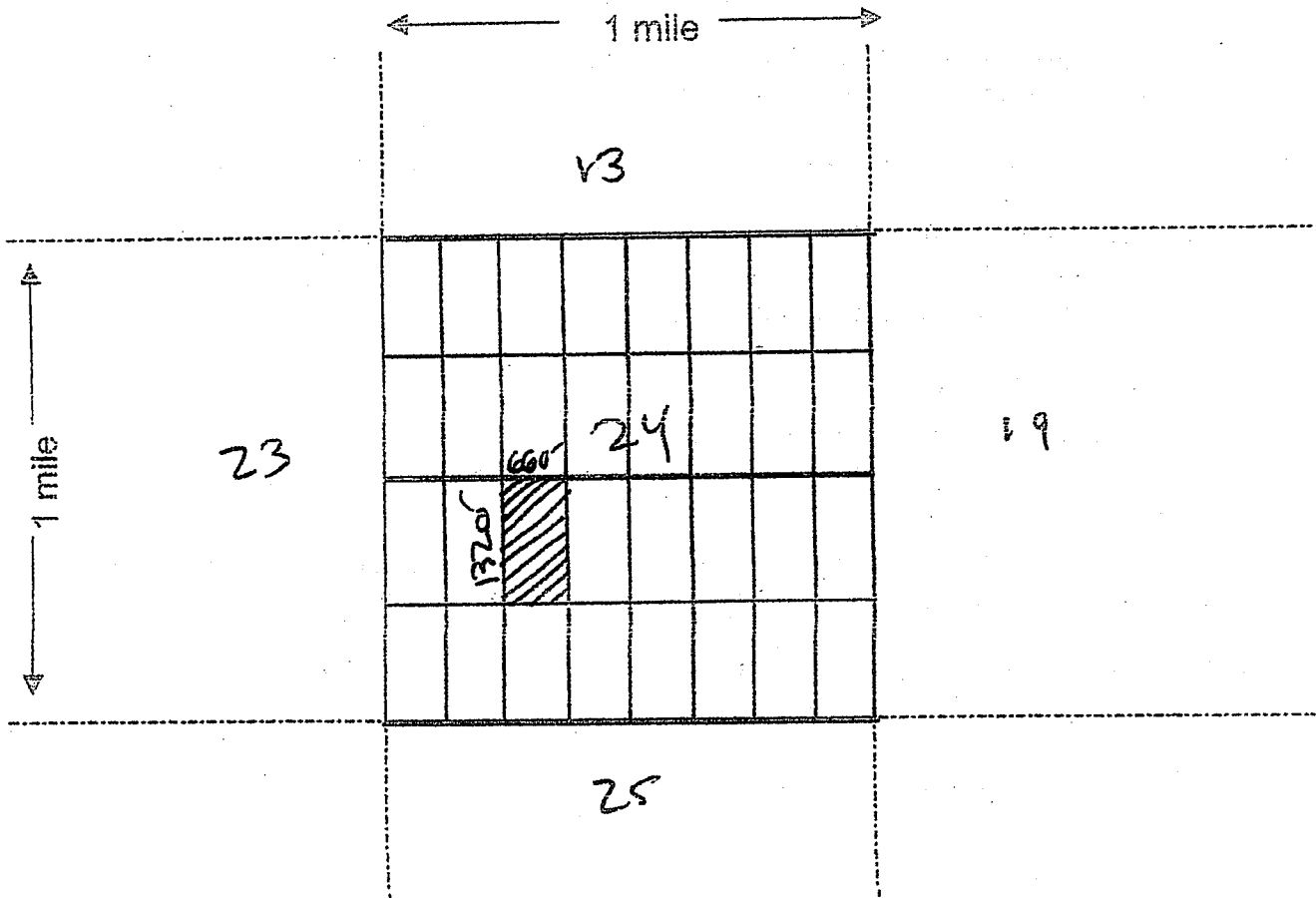
RECEIVED  
BLM AZ STATE OFFICE

AMC453474

Map on reverse side

MINING CLAIM MAP

Lode ( ) Placer (X)



Scale : 1" = 2000 feet



1. The above map depicts the PM-24-19 mining claim, which is located in Section (s) 24, Township 3 North Range 19 West, Gila & Salt Base Line Meridian, LA PAZ County, Arizona.
2. The type of corner and location monuments used are as follows: 2"X 2" Wood Post
3. The bearings and distances in degrees and feet between claim corners are as depicted on the map.

County Recorder Space:

Plomosa Mining, Inc.  
C/O Stephen Martindale  
121 Walnut Ave  
Huntington Beach, CA 92648  
(410)262-9260

---

## LOCATION NOTICE PLACER MINING CLAIM

NOTICE IS HEREBY GIVEN that the **PM-24-20** placer mining claim has been

Located by Plomosa Mining, Inc. whose current mailing address is; 121 Walnut Ave, Huntington Beach CA 92648.  
The general course of the claim is north to south and is situated in La Paz County, Arizona.

This claim is 1320' feet in length and 660' feet in width. This claim runs from the location monument on which this location notice is posted. This claim is marked by four monuments, one at each corner of the claim. The location monument on which this Notice is posted is situated within:

Township 3 North, Range 19 West, Section 24, Quarter Section: E1/2 NE1/4 SW1/4

La Paz County, Arizona. Gila & Salt River Base and Meridian. This claim is 20 acres in size.

---

The locality of this claim with reference to some natural object or permanent monument and additional information (if any) concerning its locality is as follows: Section Marker and natural stone with wood post.

Dated and posted on the ground this 25<sup>TH</sup> day of November, 2018.

Plomosa Mining, Inc.:

  
Stephen Martindale-President

PHOENIX, ARIZONA

2019 FEB 11 P 1:53

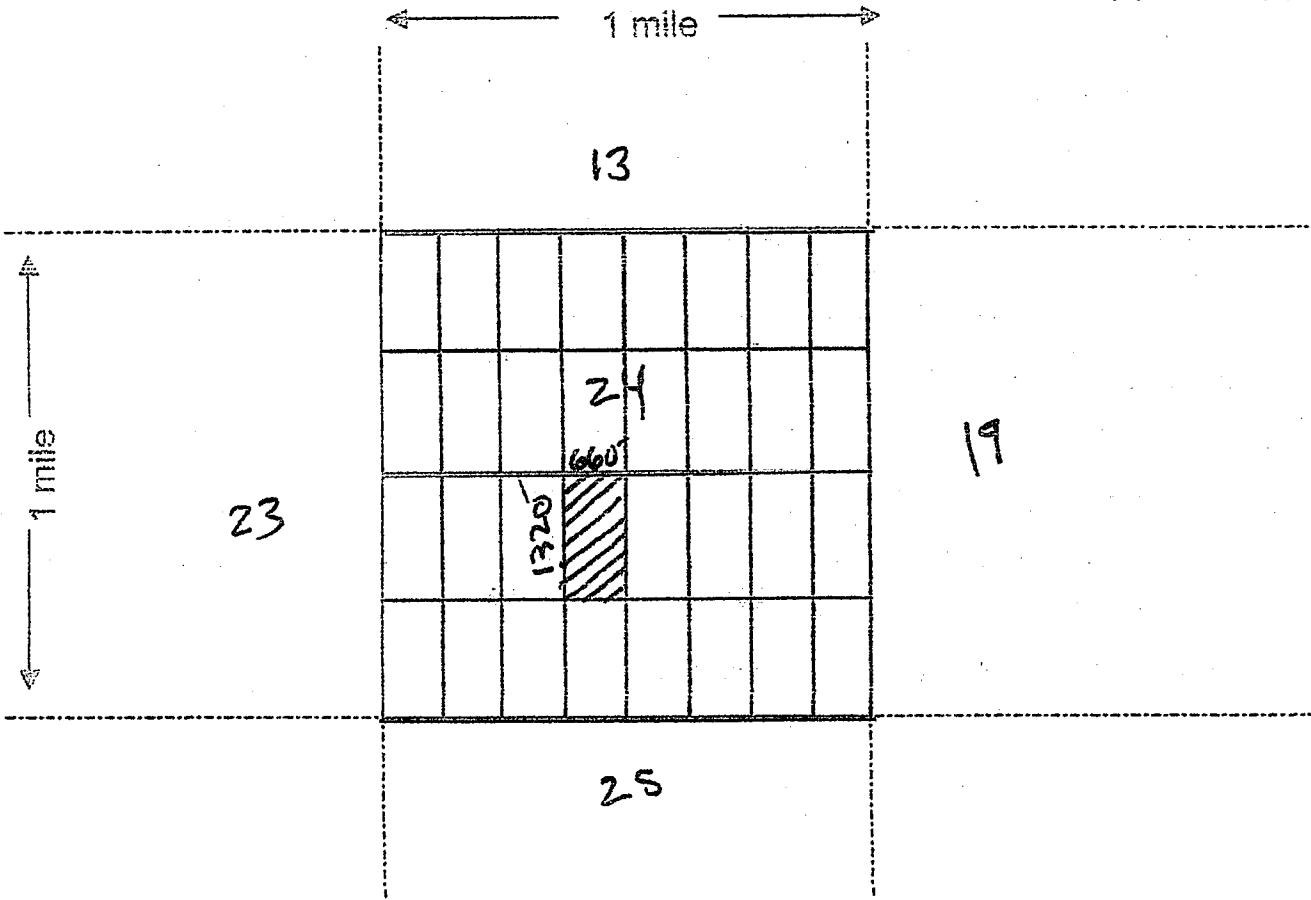
RECEIVED  
BLM AZ STATE OFFICE

AMC4534751

Map on reverse side

**MINING CLAIM MAP**

Lode ( ) Placer (X)



Scale : 1" = 2000 feet



1. The above map depicts the PM-24-20 mining claim, which is located in Section (s) 24, Township 3 North, Range 19 West, Gila & Salt Base Line Meridian, LA PAZ County, Arizona.

2. The type of corner and location monuments used are as follows: 2"X 2" Wood Post

3. The bearings and distances in degrees and feet between claim corners are as depicted on the map.



County Recorder Space:

Plomosa Mining, Inc.  
C/O Stephen Martindale  
121 Walnut Ave  
Huntington Beach, CA 92648  
(410)262-9260

## LOCATION NOTICE PLACER MINING CLAIM

NOTICE IS HEREBY GIVEN that the **PM-24-21** placer mining claim has been

Located by Plomosa Mining, Inc. whose current mailing address is; 121 Walnut Ave, Huntington Beach CA 92648.

The general course of the claim is north to south and is situated in La Paz County, Arizona.

This claim is 1320' feet in length and 660' feet in width. This claim runs from the location monument on which this location notice is posted. This claim is marked by four monuments, one at each corner of the claim. The location monument on which this Notice is posted is situated within:

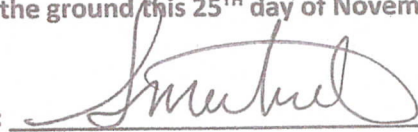
Township 3 North, Range 19 West, Section 24, Quarter Section: W1/2 SW1/4 SW1/4

La Paz County, Arizona. Gila & Salt River Base and Meridian. This claim is 20 acres in size.

The locality of this claim with reference to some natural object or permanent monument and additional information (if any) concerning its locality is as follows: Section Marker and natural stone with wood post.

Dated and posted on the ground this 25<sup>TH</sup> day of November, 2018.

Plomosa Mining, Inc.:



Stephen Martindale-President

PHOENIX, ARIZONA

2019 FEB 11 P 1:53

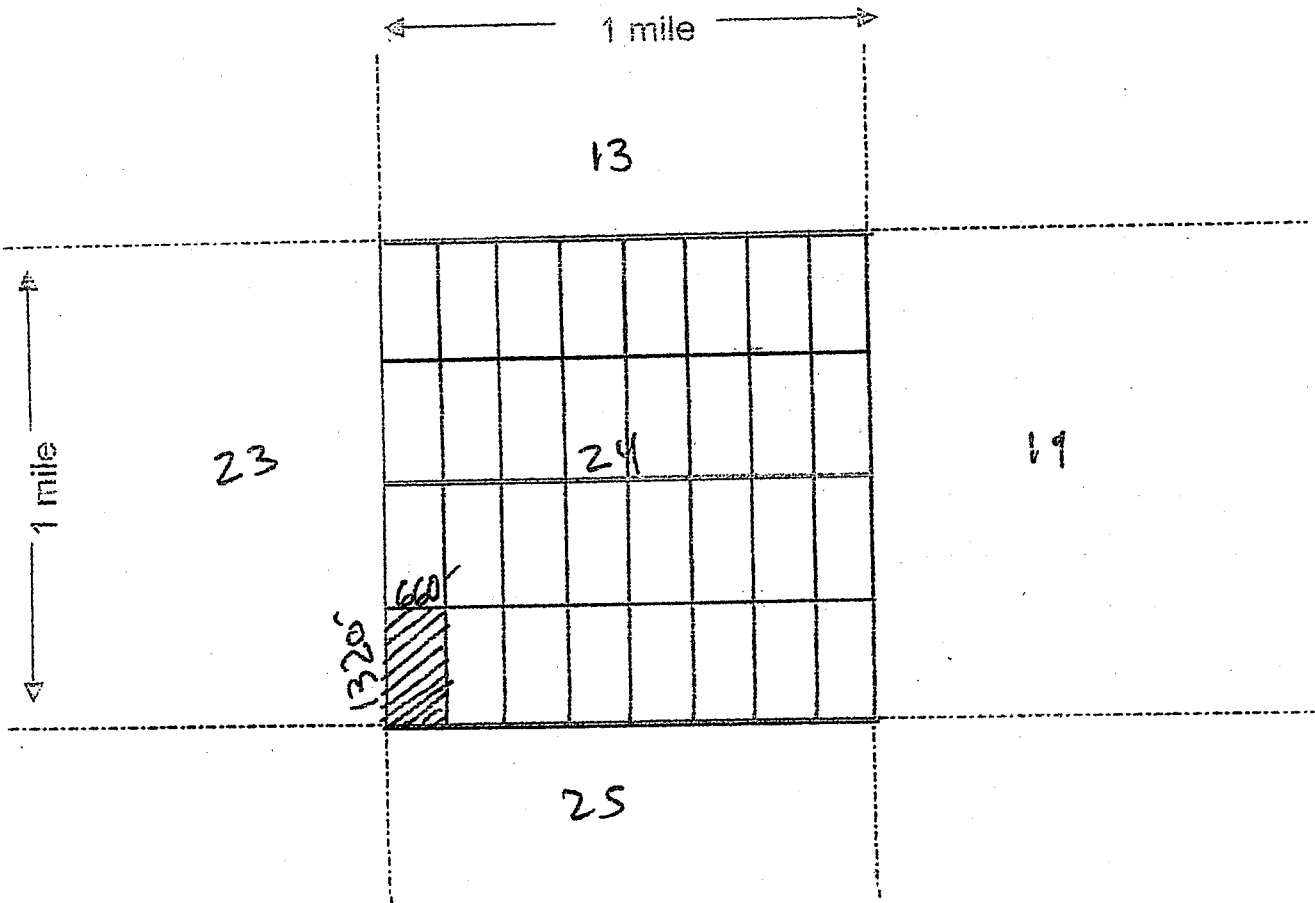
RECEIVED  
BLM AZ STATE OFFICE

AMC 453476

Map on reverse side

MINING CLAIM MAP

Lode ( ) Placer (X)



Scale : 1" = 2000 feet



1. The above map depicts the PM-24-21 mining claim, which is located in Section (s) 24, Township 3 North, Range 19 West, Gila & Salt Base Line Meridian, LA PAZ County, Arizona.

2. The type of corner and location monuments used are as follows: 2"X 2" Wood Post

3. The bearings and distances in degrees and feet between claim corners are as depicted on the map.

County Recorder Space:

Plomosa Mining, Inc.  
C/O Stephen Martindale  
121 Walnut Ave  
Huntington Beach, CA 92648  
(410)262-9260

---

## LOCATION NOTICE PLACER MINING CLAIM

NOTICE IS HEREBY GIVEN that the **PM-24-22** placer mining claim has been

Located by Plomosa Mining, Inc. whose current mailing address is; 121 Walnut Ave, Huntington Beach CA 92648.

The general course of the claim is north to south and is situated in La Paz County, Arizona.

This claim is 1320' feet in length and 660' feet in width. This claim runs from the location monument on which this location notice is posted. This claim is marked by four monuments, one at each corner of the claim. The location monument on which this Notice is posted is situated within:

Township 3 North, Range 19 West, Section 24, Quarter Section: E1/2 SW1/4 SW1/4

La Paz County, Arizona. Gila & Salt River Base and Meridian. This claim is 20 acres in size.

---

The locality of this claim with reference to some natural object or permanent monument and additional information (if any) concerning its locality is as follows: Section Marker and natural stone with wood post.

Dated and posted on the ground this 25<sup>TH</sup> day of November, 2018.

Plomosa Mining, Inc.:

  
Stephen Martindale-President

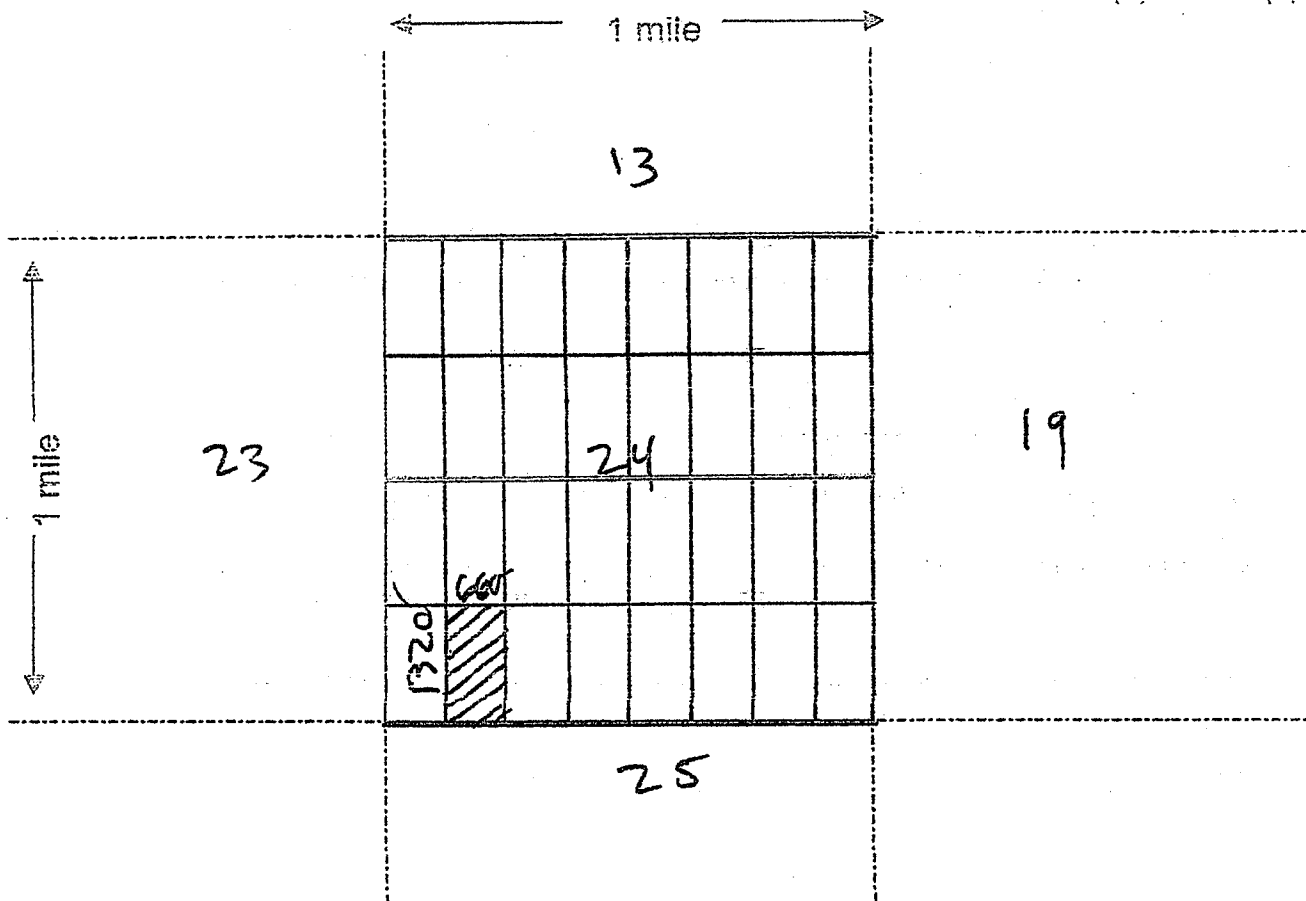
RECEIVED  
BLM AZ STATE OFFICE  
2019 FEB 11 P 1:53  
PHOENIX, ARIZONA

AM0453477

Map on reverse side

**MINING CLAIM MAP**

Lode ( ) Placer (X)



Scale : 1" = 2000 feet



1. The above map depicts the PM-24-22 mining claim, which is located in Section (s) 24, Township 3 North, Range 19 West, Gila & Salt Base Line Meridian, LA PAZ County, Arizona.

2. The type of corner and location monuments used are as follows: 2"X 2" Wood Post

3. The bearings and distances in degrees and feet between claim corners are as depicted on the map.

County Recorder Space:

Plomosa Mining, Inc.  
C/O Stephen Martindale  
121 Walnut Ave  
Huntington Beach, CA 92648  
(410)262-9260

## LOCATION NOTICE PLACER MINING CLAIM

NOTICE IS HEREBY GIVEN that the **PM-24-23** placer mining claim has been

Located by Plomosa Mining, Inc. whose current mailing address is; 121 Walnut Ave, Huntington Beach CA 92648.  
The general course of the claim is north to south and is situated in La Paz County, Arizona.

This claim is 1320' feet in length and 660' feet in width. This claim runs from the location monument on which this location notice is posted. This claim is marked by four monuments, one at each corner of the claim. The location monument on which this Notice is posted is situated within:

Township 3 North, Range 19 West, Section 24, Quarter Section: W1/2 SE1/4 SW1/4

La Paz County, Arizona. Gila & Salt River Base and Meridian. This claim is 20 acres in size.

The locality of this claim with reference to some natural object or permanent monument and additional information (if any) concerning its locality is as follows: Section Marker and natural stone with wood post.

Dated and posted on the ground this 25<sup>TH</sup> day of November, 2018.

Plomosa Mining, Inc.:   
Stephen Martindale-President

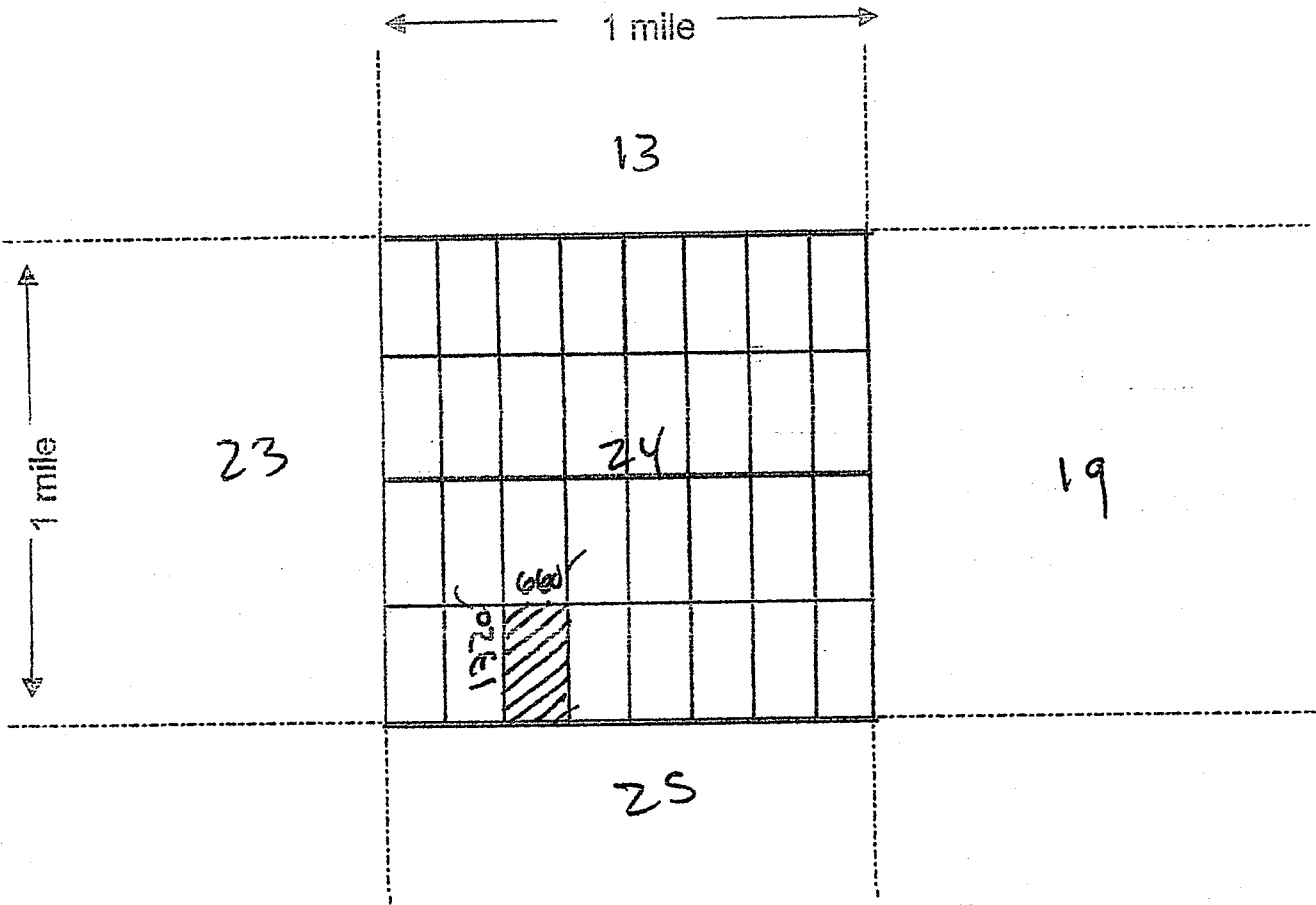
RECEIVED  
BLM AZ STATE OFFICE  
2019 FEB 11 P 1:53  
PHOENIX, ARIZONA

AMC453479

Map on reverse side

MINING CLAIM MAP

Lode ( ) Placer (X)



Scale : 1" = 2000 feet



1. The above map depicts the PM-24-23 mining claim, which is located in Section (s) 24, Township 3 North Range 19 West, Gila & Salt Base Line Meridian, LAPAZ County, Arizona.

2. The type of corner and location monuments used are as follows: 2"X 2" Wood Post

3. The bearings and distances in degrees and feet between claim corners are as depicted on the map.

County Recorder Space:

Plomosa Mining, Inc.  
C/O Stephen Martindale  
121 Walnut Ave  
Huntington Beach, CA 92648  
(410)262-9260

## LOCATION NOTICE PLACER MINING CLAIM

NOTICE IS HEREBY GIVEN that the **PM-24-24** placer mining claim has been

Located by Plomosa Mining, Inc. whose current mailing address is; 121 Walnut Ave, Huntington Beach CA 92648.

The general course of the claim is north to south and is situated in La Paz County, Arizona.

This claim is 1320' feet in length and 660' feet in width. This claim runs from the location monument on which this location notice is posted. This claim is marked by four monuments, one at each corner of the claim. The location monument on which this Notice is posted is situated within:

Township 3 North, Range 19 West, Section 24, Quarter Section: E1/2 SE1/4 SW1/4

La Paz County, Arizona. Gila & Salt River Base and Meridian. This claim is 20 acres in size.

The locality of this claim with reference to some natural object or permanent monument and additional information (if any) concerning its locality is as follows: Section Marker and natural stone with wood post.

Dated and posted on the ground this 25<sup>TH</sup> day of November, 2018.

Plomosa Mining, Inc.:   
Stephen Martindale-President

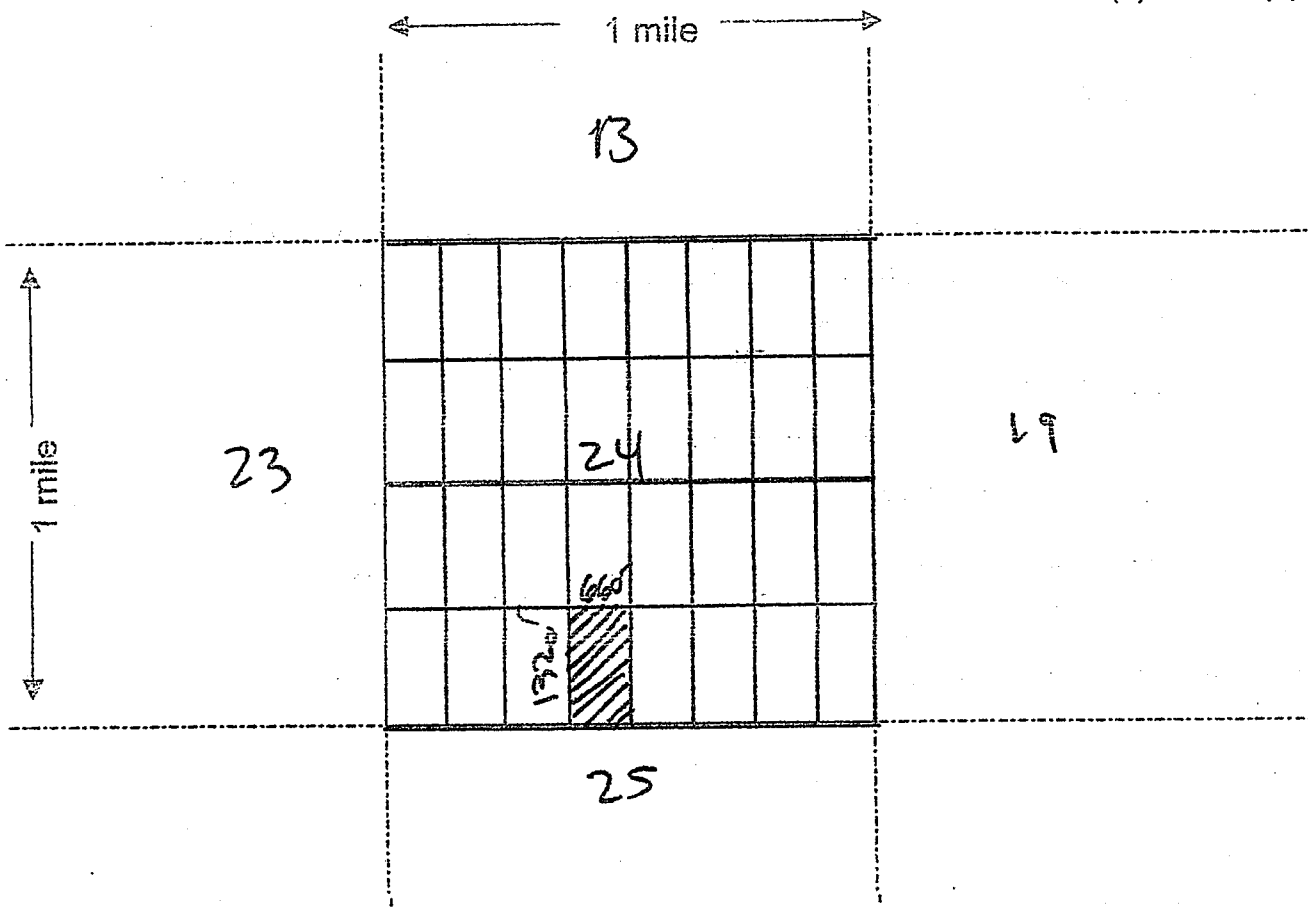
RECEIVED  
BLM AZ STATE OFFICE  
2019 FEB 11 P 1:53  
PHOENIX, ARIZONA

AMC453479

Map on reverse side

**MINING CLAIM MAP**

Lode ( ) Placer (X)



Scale : 1" = 2000 feet



1. The above map depicts the PM-24-24 mining claim, which is located in Section (s) 24, Township 3 North, Range 19 West, Gila & Salt Base Line Meridian, LAPAZ County, Arizona.
2. The type of corner and location monuments used are as follows: 2"X 2" Wood Post
3. The bearings and distances in degrees and feet between claim corners are as depicted on the map.



County Recorder Space:

Plomosa Mining, Inc.  
C/O Stephen Martindale  
121 Walnut Ave  
Huntington Beach, CA 92648  
(410)262-9260

---

## LOCATION NOTICE PLACER MINING CLAIM

NOTICE IS HEREBY GIVEN that the **PM-24-25** placer mining claim has been

Located by Plomosa Mining, Inc. whose current mailing address is; 121 Walnut Ave, Huntington Beach CA 92648.

The general course of the claim is north to south and is situated in La Paz County, Arizona.

This claim is 1320' feet in length and 660' feet in width. This claim runs from the location monument on which this location notice is posted. This claim is marked by four monuments, one at each corner of the claim. The location monument on which this Notice is posted is situated within:

Township 3 North, Range 19 West, Section 24, Quarter Section: W1/2 NW1/4 SE1/4

La Paz County, Arizona. Gila & Salt River Base and Meridian. This claim is 20 acres in size.

---

The locality of this claim with reference to some natural object or permanent monument and additional information (if any) concerning its locality is as follows: Section Marker and natural stone with wood post.

Dated and posted on the ground this 25<sup>TH</sup> day of November, 2018.

Plomosa Mining, Inc.:

  
Stephen Martindale-President

PHOENIX, ARIZONA

2019 FEB 11 P 1:53

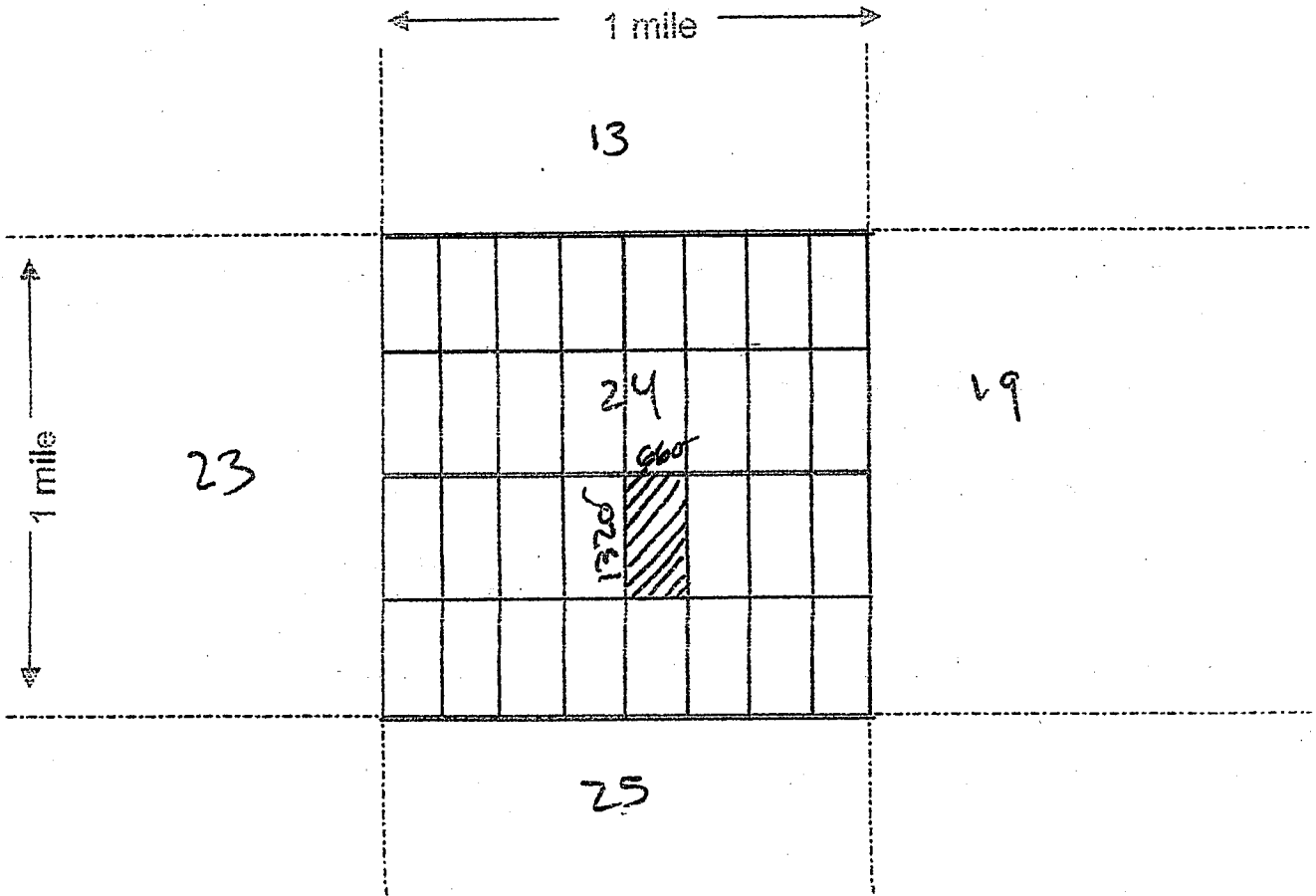
RECEIVED  
BLM AZ STATE OFFICE

AMC453400

Map on reverse side

**MINING CLAIM MAP**

Lode ( ) Placer (X)



Scale : 1" = 2000 feet



- The above map depicts the PM-24-25 mining claim, which is located in Section (s) 24, Township 3 North, Range 19 West, Gila & Salt Base Line Meridian, LA PAZ County, Arizona.
- The type of corner and location monuments used are as follows: 2"X 2" Wood Post
- The bearings and distances in degrees and feet between claim corners are as depicted on the map.

County Recorder Space:

Plomosa Mining, Inc.  
C/O Stephen Martindale  
121 Walnut Ave  
Huntington Beach, CA 92648  
(410)262-9260

---

## LOCATION NOTICE PLACER MINING CLAIM

NOTICE IS HEREBY GIVEN that the **PM-24-26** placer mining claim has been

Located by Plomosa Mining, Inc. whose current mailing address is; 121 Walnut Ave, Huntington Beach CA 92648.

The general course of the claim is north to south and is situated in La Paz County, Arizona.

This claim is 1320' feet in length and 660' feet in width. This claim runs from the location monument on which this location notice is posted. This claim is marked by four monuments, one at each corner of the claim. The location monument on which this Notice is posted is situated within:

Township 3 North, Range 19 West, Section 24, Quarter Section: E1/2 NW1/4 SE1/4

La Paz County, Arizona. Gila & Salt River Base and Meridian. This claim is 20 acres in size.

---

The locality of this claim with reference to some natural object or permanent monument and additional information (if any) concerning its locality is as follows: Section Marker and natural stone with wood post.

Dated and posted on the ground this 25<sup>TH</sup> day of November, 2018.

Plomosa Mining, Inc.:

  
Stephen Martindale-President

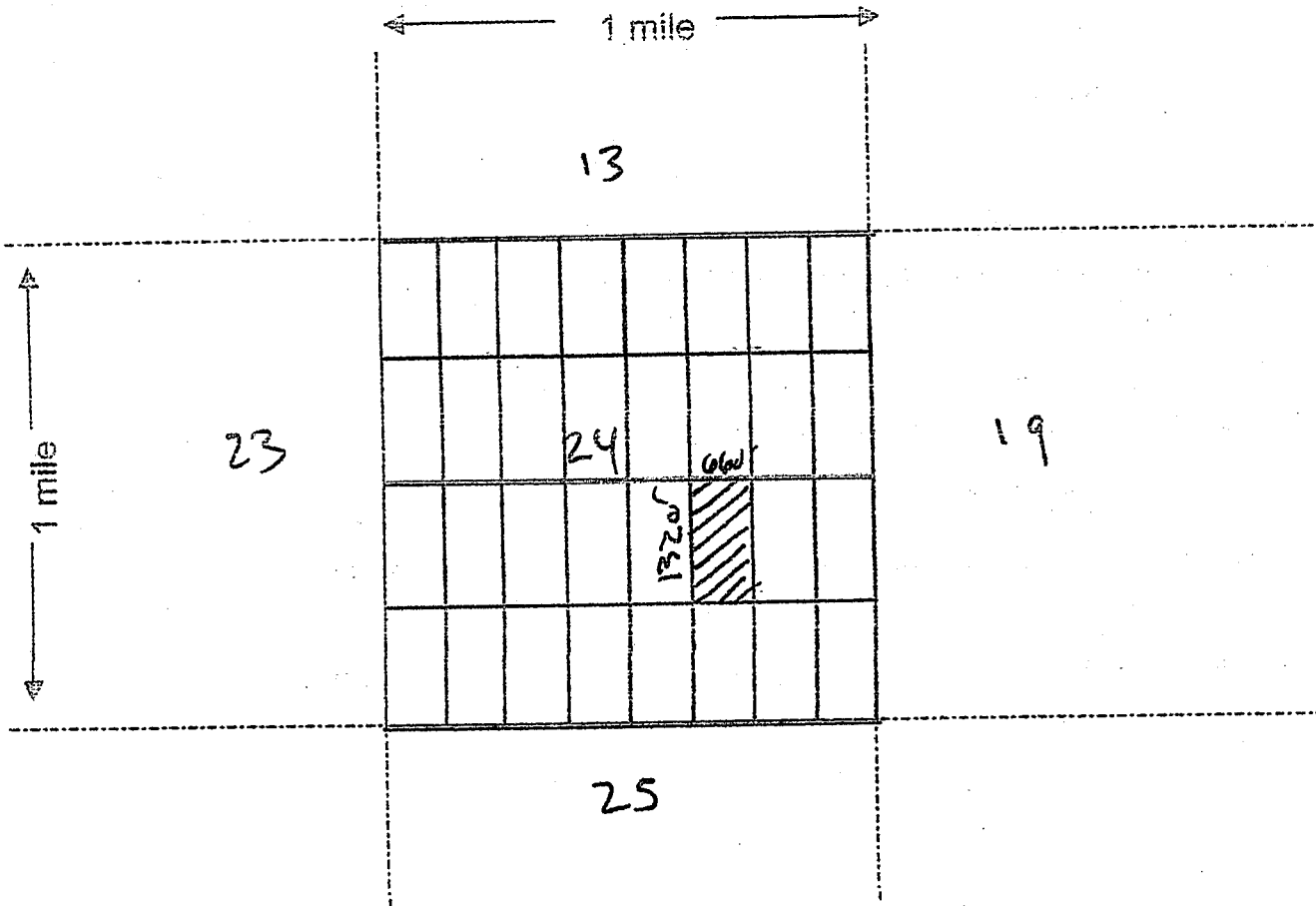
RECEIVED  
BLM AZ STATE OFFICE  
2019 FEB 11 P 1:53  
PHOENIX, ARIZONA

AMC453481

Map on reverse side

MINING CLAIM MAP

Lode ( ) Placer (X)



Scale : 1" = 2000 feet



1. The above map depicts the PM-24-26 mining claim, which is located in Section (s) 24, Township 3 North, Range 19 West, Gila & Salt Base Line Meridian, LA PAZ County, Arizona.

2. The type of corner and location monuments used are as follows: 2"X 2" Wood Post

3. The bearings and distances in degrees and feet between claim corners are as depicted on the map.

County Recorder Space:

Plomosa Mining, Inc.  
C/O Stephen Martindale  
121 Walnut Ave  
Huntington Beach, CA 92648  
(410)262-9260

---

## LOCATION NOTICE PLACER MINING CLAIM

NOTICE IS HEREBY GIVEN that the **PM-24-27** placer mining claim has been

Located by Plomosa Mining, Inc. whose current mailing address is; 121 Walnut Ave, Huntington Beach CA 92648.  
The general course of the claim is north to south and is situated in La Paz County, Arizona.

This claim is 1320' feet in length and 660' feet in width. This claim runs from the location monument on which this location notice is posted. This claim is marked by four monuments, one at each corner of the claim. The location monument on which this Notice is posted is situated within:

Township 3 North, Range 19 West, Section 24, Quarter Section: W1/2 NE1/4 SE1/4

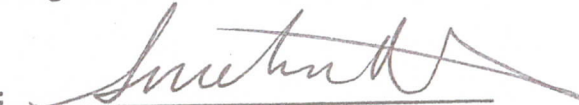
La Paz County, Arizona. Gila & Salt River Base and Meridian. This claim is 20 acres in size.

---

The locality of this claim with reference to some natural object or permanent monument and additional information (if any) concerning its locality is as follows: Section Marker and natural stone with wood post.

Dated and posted on the ground this 25<sup>TH</sup> day of November, 2018.

Plomosa Mining, Inc.:



Stephen Martindale-President

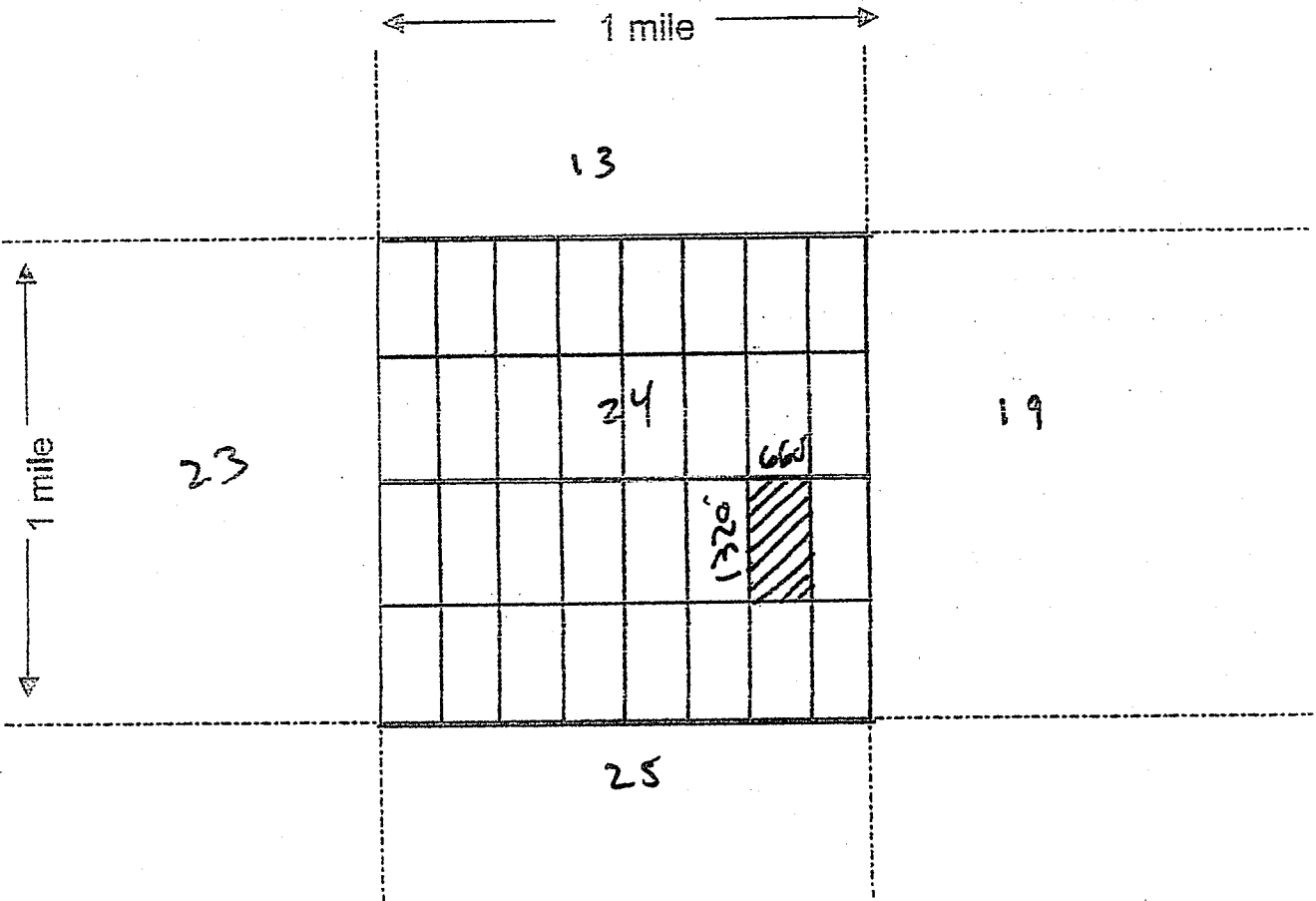
RECEIVED  
BLM AZ STATE OFFICE  
2019 FEB 11 P 1:53  
PHOENIX, ARIZONA

AMC 453482

Map on reverse side

**MINING CLAIM MAP**

Lode ( ) Placer (X)



Scale : 1" = 2000 feet



1. The above map depicts the PM-24-27 mining claim, which is located in Section (s) 24, Township 3 North, Range 19 West, Gila & Salt Base Line Meridian, LA PAZ County, Arizona.

2. The type of corner and location monuments used are as follows: 2" X 2" Wood Post

3. The bearings and distances in degrees and feet between claim corners are as depicted on the map.

County Recorder Space:

Plomosa Mining, Inc.  
C/O Stephen Martindale  
121 Walnut Ave  
Huntington Beach, CA 92648  
(410)262-9260

---

## LOCATION NOTICE PLACER MINING CLAIM

NOTICE IS HEREBY GIVEN that the **PM-24-28** placer mining claim has been

Located by Plomosa Mining, Inc. whose current mailing address is; 121 Walnut Ave, Huntington Beach CA 92648.

The general course of the claim is north to south and is situated in La Paz County, Arizona.

This claim is 1320' feet in length and 660' feet in width. This claim runs from the location monument on which this location notice is posted. This claim is marked by four monuments, one at each corner of the claim. The location monument on which this Notice is posted is situated within:

Township 3 North, Range 19 West, Section 24, Quarter Section: E1/2 NE1/4 SE1/4

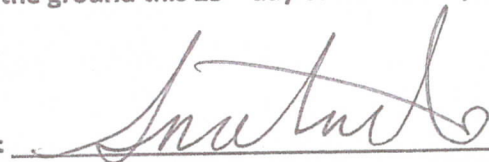
La Paz County, Arizona. Gila & Salt River Base and Meridian. This claim is 20 acres in size.

---

The locality of this claim with reference to some natural object or permanent monument and additional information (if any) concerning its locality is as follows: Section Marker and natural stone with wood post.

Dated and posted on the ground this 25<sup>TH</sup> day of November, 2018.

Plomosa Mining, Inc.:



Stephen Martindale-President

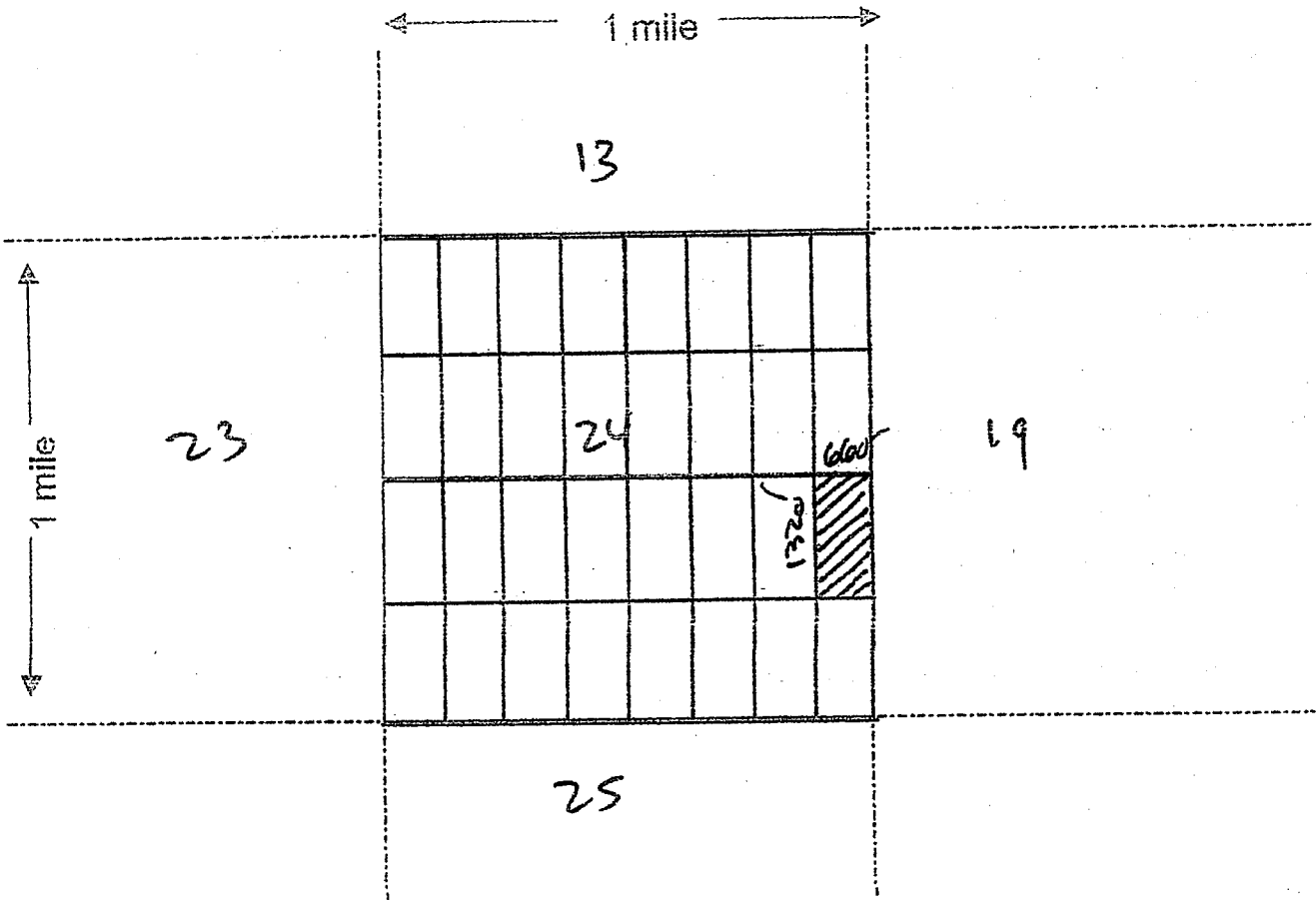
RECEIVED  
BLM AZ STATE OFFICE  
2019 FEB 11 P 1:53  
PHOENIX, ARIZONA

AMC 453483

Map on reverse side

MINING CLAIM MAP

Lode ( ) Placer (X)



Scale : 1" = 2000 feet



1. The above map depicts the PM-24-28 mining claim, which is located in Section (s) 24, Township 3 North, Range 19 West, Gila & Salt Base Line Meridian, LA PAZ County, Arizona.

2. The type of corner and location monuments used are as follows: 2" X 2" Wood Post

3. The bearings and distances in degrees and feet between claim corners are as depicted on the map.



County Recorder Space:

Plomosa Mining, Inc.  
C/O Stephen Martindale  
121 Walnut Ave  
Huntington Beach, CA 92648  
(410)262-9260

## LOCATION NOTICE PLACER MINING CLAIM

NOTICE IS HEREBY GIVEN that the **PM-24-29** placer mining claim has been

Located by Plomosa Mining, Inc. whose current mailing address is; 121 Walnut Ave, Huntington Beach CA 92648.

The general course of the claim is north to south and is situated in La Paz County, Arizona.

This claim is 1320' feet in length and 660' feet in width. This claim runs from the location monument on which this location notice is posted. This claim is marked by four monuments, one at each corner of the claim. The location monument on which this Notice is posted is situated within:

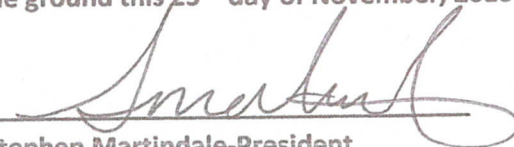
Township 3 North, Range 19 West, Section 24, Quarter Section: W1/2 SW1/4 SE1/4

La Paz County, Arizona. Gila & Salt River Base and Meridian. This claim is 20 acres in size.

The locality of this claim with reference to some natural object or permanent monument and additional information (if any) concerning its locality is as follows: Section Marker and natural stone with wood post.

Dated and posted on the ground this 25<sup>TH</sup> day of November, 2018.

Plomosa Mining, Inc.:

  
Stephen Martindale-President

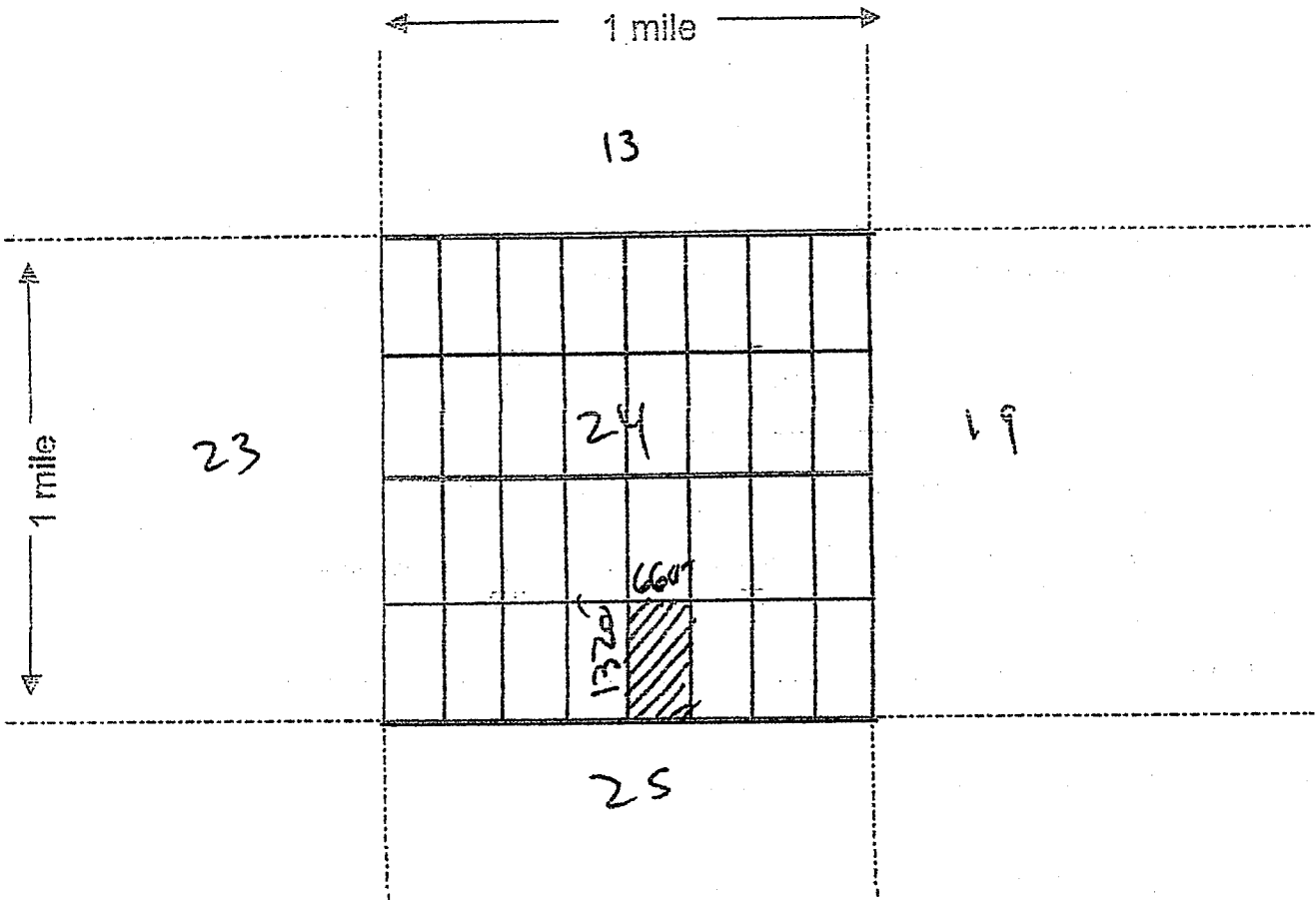
RECEIVED  
BLM AZ STATE OFFICE  
2019 FEB 11 P 1:53  
PHOENIX, ARIZONA

AMC 453484

Map on reverse side

MINING CLAIM MAP

Lode ( ) Placer (X)



Scale : 1" = 2000 feet



1. The above map depicts the PM-24-29 mining claim, which is located in Section (s) 24, Township 3 North, Range 19 West, Gila & Salt Base Line Meridian, LA PAZ County, Arizona.

2. The type of corner and location monuments used are as follows: 2"X 2" Wood Post

3. The bearings and distances in degrees and feet between claim corners are as depicted on the map.

County Recorder Space:

Plomosa Mining, Inc.  
C/O Stephen Martindale  
121 Walnut Ave  
Huntington Beach, CA 92648  
(410)262-9260

## LOCATION NOTICE PLACER MINING CLAIM

NOTICE IS HEREBY GIVEN that the **PM-24-30** placer mining claim has been

Located by Plomosa Mining, Inc. whose current mailing address is; 121 Walnut Ave, Huntington Beach CA 92648.  
The general course of the claim is north to south and is situated in La Paz County, Arizona.

This claim is 1320' feet in length and 660' feet in width. This claim runs from the location monument on which this location notice is posted. This claim is marked by four monuments, one at each corner of the claim. The location monument on which this Notice is posted is situated within:

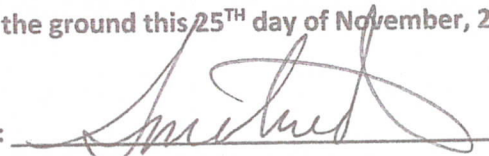
Township 3 North, Range 19 West, Section 24, Quarter Section: E1/2 SW1/4 SE1/4

La Paz County, Arizona. Gila & Salt River Base and Meridian. This claim is 20 acres in size.

The locality of this claim with reference to some natural object or permanent monument and additional information (if any) concerning its locality is as follows: Section Marker and natural stone with wood post.

Dated and posted on the ground this 25<sup>TH</sup> day of November, 2018.

Plomosa Mining, Inc.:

  
Stephen Martindale-President

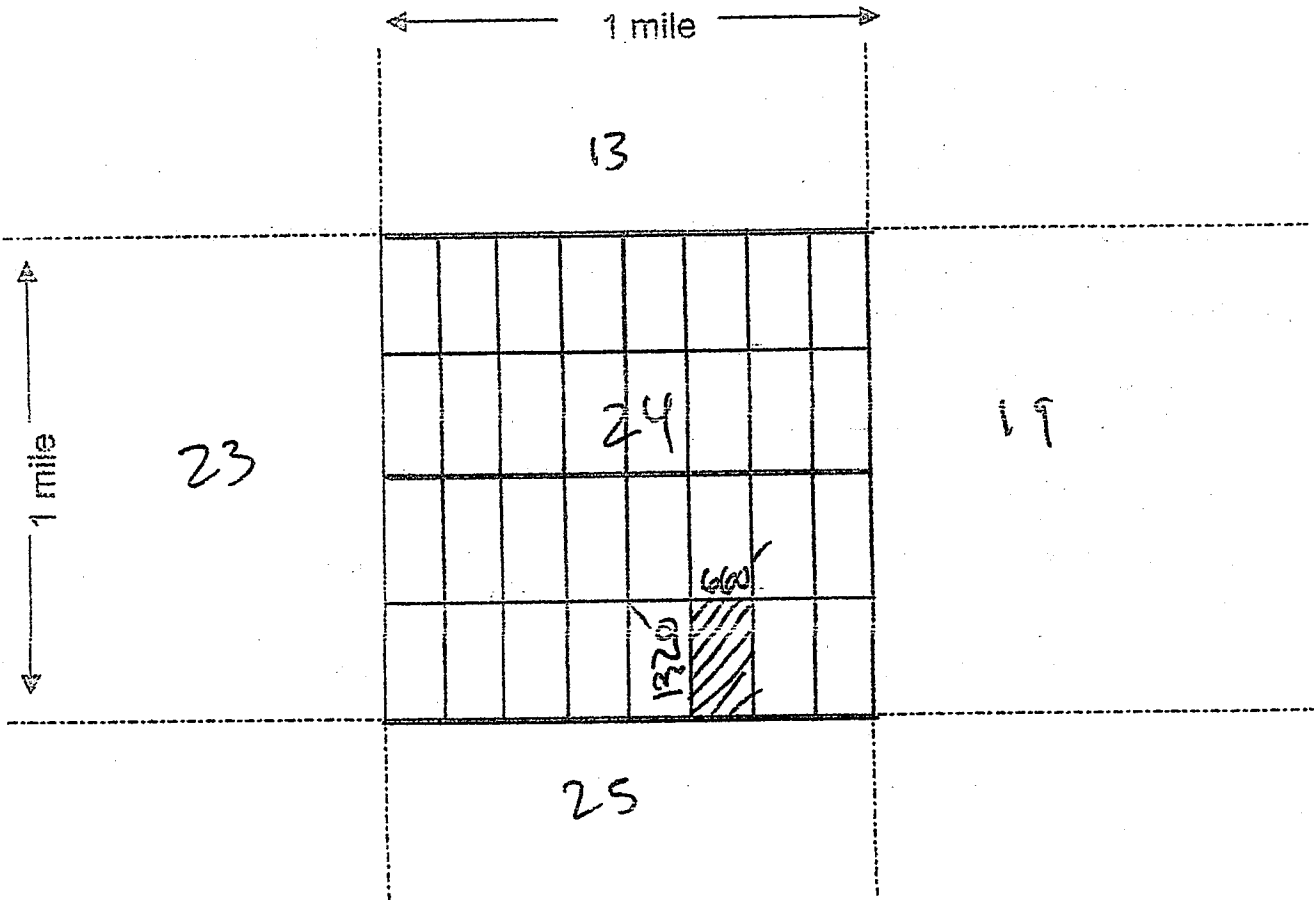
RECEIVED  
BLM AZ STATE OFFICE  
2019 FEB 11 P 1:53  
PHOENIX, ARIZONA

AMC453485

Map on reverse side

**MINING CLAIM MAP**

Lode ( ) Placer (X)



Scale : 1" = 2000 feet



1. The above map depicts the PM-24-30 mining claim, which is located in Section (s) 24, Township 3 North, Range 19 West, Gila & Salt Base Line Meridian, LA PAZ County, Arizona.

2. The type of corner and location monuments used are as follows: 2"X 2" Wood Post

3. The bearings and distances in degrees and feet between claim corners are as depicted on the map.

County Recorder Space:

Plomosa Mining, Inc.  
C/O Stephen Martindale  
121 Walnut Ave  
Huntington Beach, CA 92648  
(410)262-9260

## LOCATION NOTICE PLACER MINING CLAIM

NOTICE IS HEREBY GIVEN that the **PM-24-31** placer mining claim has been

Located by Plomosa Mining, Inc. whose current mailing address is; 121 Walnut Ave, Huntington Beach CA 92648.  
The general course of the claim is north to south and is situated in La Paz County, Arizona.


This claim is 1320' feet in length and 660' feet in width. This claim runs from the location monument on which this location notice is posted. This claim is marked by four monuments, one at each corner of the claim. The location monument on which this Notice is posted is situated within:

Township 3 North, Range 19 West, Section 24, Quarter Section: W1/2 SE1/4 SE1/4

La Paz County, Arizona. Gila & Salt River Base and Meridian. This claim is 20 acres in size.

The locality of this claim with reference to some natural object or permanent monument and additional information (if any) concerning its locality is as follows: Section Marker and natural stone with wood post.

Dated and posted on the ground this 25<sup>TH</sup> day of November, 2018.

Plomosa Mining, Inc.:   
Stephen Martindale-President

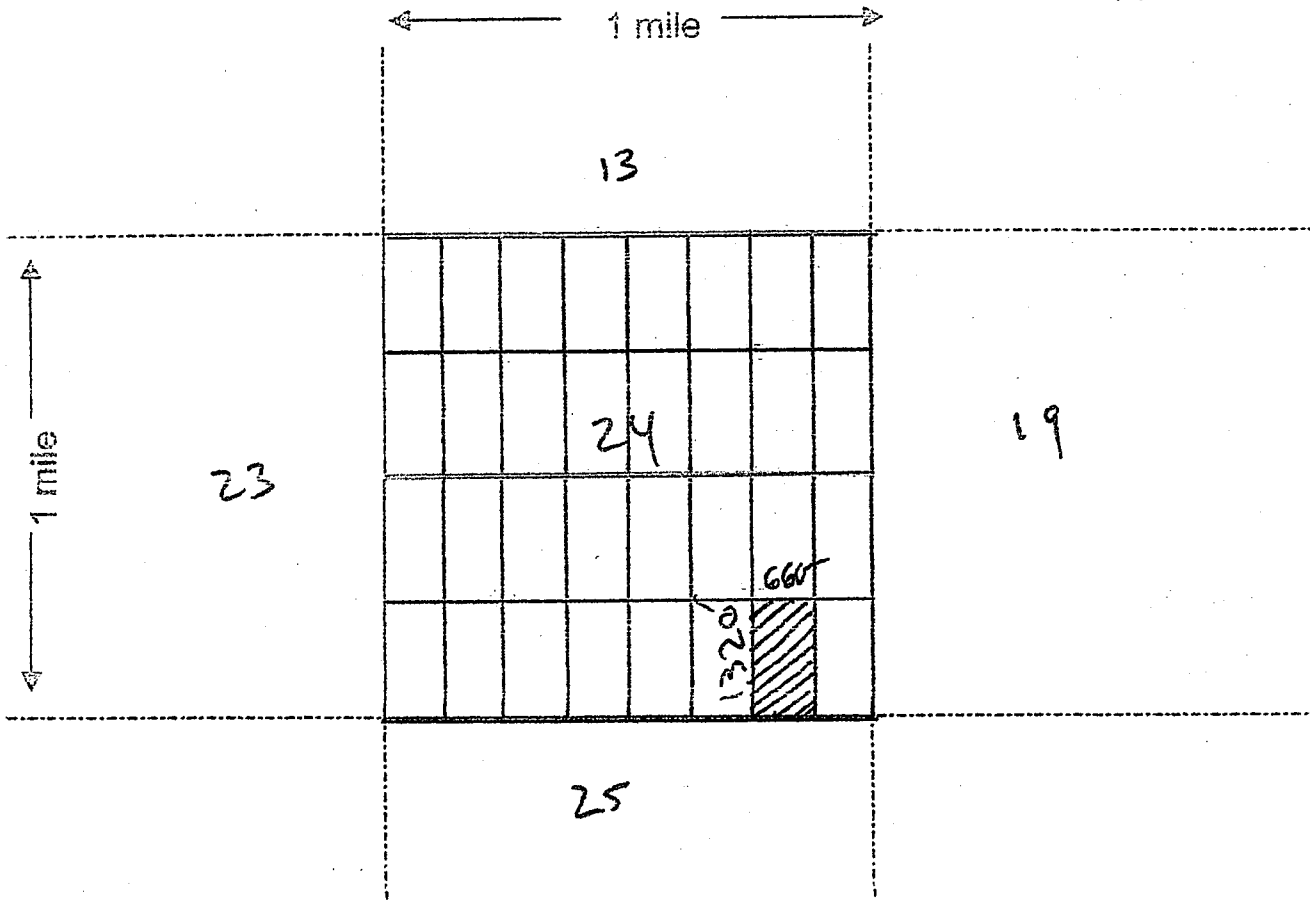
RECEIVED  
BLM AZ STATE OFFICE  
2019 FEB 11 P 1:53  
PHOENIX, ARIZONA

AMC453486

Map on reverse side

**MINING CLAIM MAP**

Lode ( ) Placer (X)



Scale : 1" = 2000 feet

1. The above map depicts the PM-24-31 mining claim, which is located in Section (s) 24, Township 3 North, Range 19 West, Gila & Salt Base Line Meridian, LA PAZ County, Arizona.

2. The type of corner and location monuments used are as follows: 2"X 2" Wood Post

3. The bearings and distances in degrees and feet between claim corners are as depicted on the map.

County Recorder Space:

Plomosa Mining, Inc.  
C/O Stephen Martindale  
121 Walnut Ave  
Huntington Beach, CA 92648  
(410)262-9260

---

## LOCATION NOTICE PLACER MINING CLAIM

NOTICE IS HEREBY GIVEN that the **PM-24-32** placer mining claim has been

Located by Plomosa Mining, Inc. whose current mailing address is; 121 Walnut Ave, Huntington Beach CA 92648.

The general course of the claim is north to south and is situated in La Paz County, Arizona.

This claim is 1320' feet in length and 660' feet in width. This claim runs from the location monument on which this location notice is posted. This claim is marked by four monuments, one at each corner of the claim. The location monument on which this Notice is posted is situated within:

Township 3 North, Range 19 West, Section 24, Quarter Section: E1/2 SE1/4 SE1/4

La Paz County, Arizona. Gila & Salt River Base and Meridian. This claim is 20 acres in size.

---

The locality of this claim with reference to some natural object or permanent monument and additional information (if any) concerning its locality is as follows: Section Marker and natural stone with wood post.

Dated and posted on the ground this 25<sup>TH</sup> day of November, 2018.

Plomosa Mining, Inc.:

  
Stephen Martindale-President

PHOENIX, ARIZONA

2019 FEB 11 P 1:53

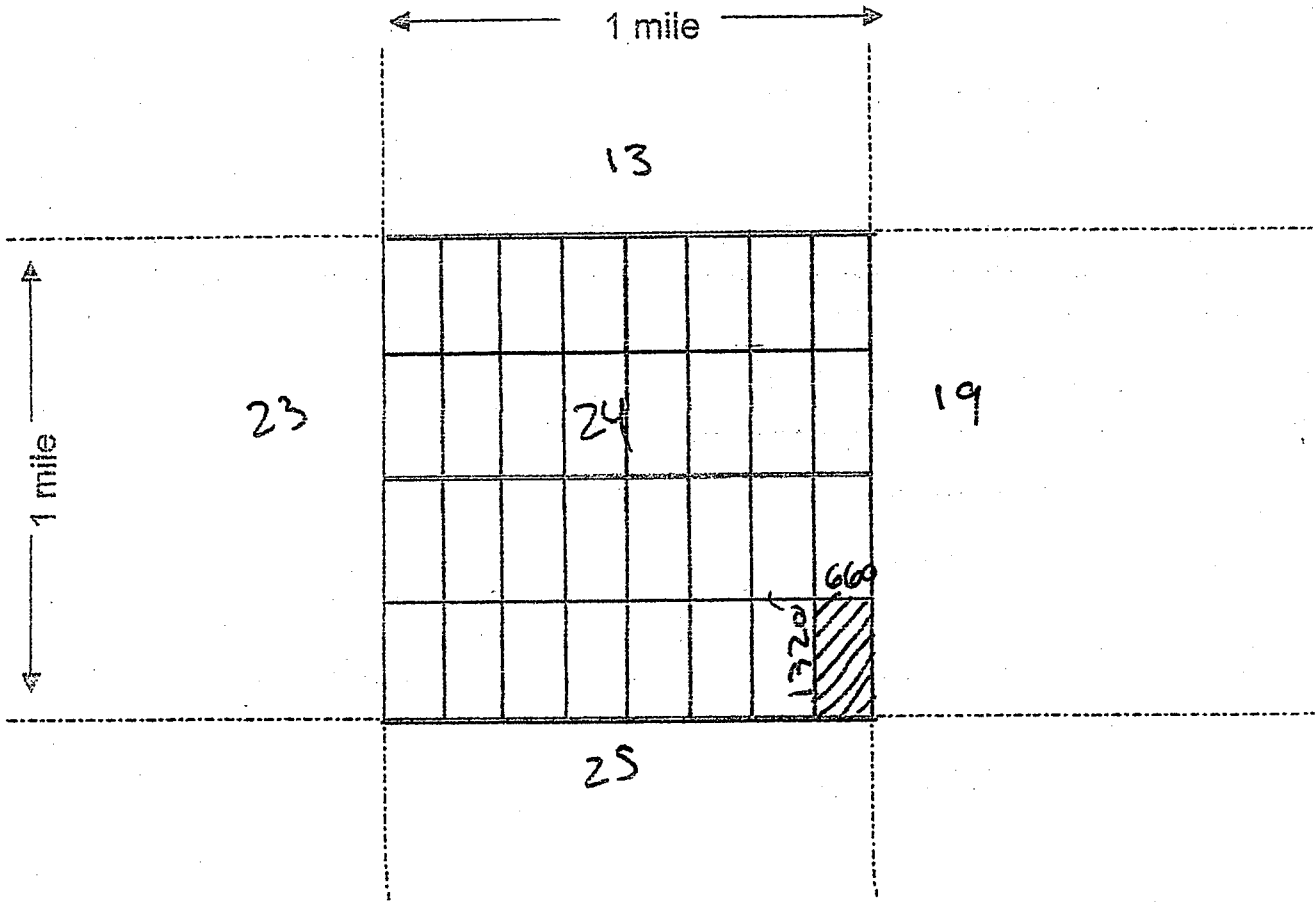
RECEIVED  
BLM AZ STATE OFFICE

AMC 453487

Map on reverse side

**MINING CLAIM MAP**

Lode ( ) Placer (X)



Scale: 1" = 2000 feet



- The above map depicts the PM-24-32 mining claim, which is located in Section (s) 24, Township 3 North Range 19 West, Gila & Salt Base Line Meridian, LA PAZ County, Arizona.
- The type of corner and location monuments used are as follows: 2"X 2" Wood Post
- The bearings and distances in degrees and feet between claim corners are as depicted on the map.





# LR2000 Internal

## CR Geographic Report with Land

**Download User Guide (pdf)**

**Purpose:** This report produces a geographic listing of case information based on retrieval by Meridian/Township/Range. This report format will display the case type, case disposition, meridian, township, range, section, survey type, survey number, surface management agency, pending actions, serial number, and total case acres.

To refresh the query, do a **Ctrl-R**. It resets the page and clears any criteria fields that may have entries.



### No Results

The specified criteria didn't result in any data. This is often caused by applying filters and/or selection steps that are too restrictive or that contain incorrect values. Please check your analysis filters and selection steps, and try again. The filters or selection steps currently being applied are shown below.

#### Filters

Disposition is equal to **AUTHORIZED, CANCELLED, EXPIRED, PENDING, REJECTED, RELINQUISHED, WITHDRAWN**

**and** Meridian Township Range Section is equal to **14 0030N 0190W 024**

**and** Admin State is equal to **AZ**

# TOWNSHIP 3 NORTH RANGE 19 WEST OF THE GILA AND SALT RIVER MERIDIAN, ARIZONA

LA PAZ COUNTY  
YUMA FIELD OFFICE

STATUS OF PUBLIC DOMAIN  
LAND AND MINERAL TITLES



INDEX TO SEGREGATED TRACTS				
RESURVEY TRACT NO	ORIGINAL SURVEY			SUBDIVISION
	T	R	SEC	

FOR ORDERS AFFECTING DISPOSAL OR USE OF UNIDENTIFIED LANDS WITHDRAWN FOR CLASSIFICATION, MINERALS, WATER AND/OR OTHER PUBLIC PURPOSES, REFER TO INDEX OF MISCELLANEOUS DOCUMENTS.

Grading Dist No 2

AZA 25991 O C R&PP NOM  
Sec 2B: N1/2NW1/4NW1/4NW1/4

AZA 29212 R/W Transmission Line 3'  
Sec 3: SW1/4SW1/4  
Sec 4: SE1/4SE1/4

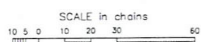
AZA 29211 R/W Road  
Sec 2B: NW1/4, N1/2W1/4NW1/4SW1/4  
Sec 2B: S1/2NE1/4NE1/4SE1/4

AZA 30805 R/W Telephone Line 4'  
Sec 3: SW1/4  
Sec 4: SE1/4

AZA 30770 R/W Telephone Line 4'  
Sec 3: SW1/4

AZA 33392 R/W Road  
Sec 19: E1/2E1/2SE1/4  
Sec 20: W1/2W1/2SW1/4  
Sec 30: NE1/4NE1/4

Lot 33°32'59"N  
Long 114°10'02"W



**WARNING STATEMENT**  
This plot is the Bureau's Record of Title, and should be used only as a graphic display of the township survey data. Records herein do not reflect the changes which may have been effected by lateral movements of rivers or other bodies of water. Refer to the cadastral surveys for official survey information.

CURRENT TO	NW	GSR Mer
1-29-2013	ACAD	T 3 N
		R 19 W

100% Recycled fiber  
80% Post-Consumer

RECEIVED  
BLM-AZ STATE OFFICE  
2019 FEB 11 P 1:51  
PHOENIX, ARIZONA

Visit [theupsstore.com](http://theupsstore.com) or call **1-800-PICK-UPS®** (1-800-742-5877) to find a location near you.

**Domestic Shipments**

- To qualify for the letter rate, UPS Express Envelopes may only contain correspondence, urgent documents, and/or electronic media, and must weigh 8 oz. or less. UPS Express Envelopes containing items other than those listed or weighing more than 8 oz. will be billed by weight.

**International Shipments**

- The UPS Express Envelope may be used only for documents of no commercial value. Certain countries consider electronic media as documents. Visit [ups.com/importexport](http://ups.com/importexport) to verify if your shipment is classified as a document.
- To qualify for the letter rate, the UPS Express Envelope must weigh 8 oz. or less. UPS Express Envelopes weighing more than 8 oz. will be billed by weight.

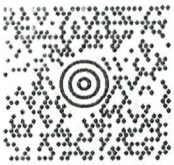
**Note:** Express Envelopes are not recommended for shipments of electronic media containing sensitive personal information or breakable items. Do not send cash or cash equivalent.

International Shipping Notice — Carriage hereunder may be subject to the rules relating to liability and other terms and/or conditions the Convention on the Contract for the International Carriage of Goods by Road (the "CMR Convention"). These commodities, technical

PANOS GIANNIOTIS  
(623) 556-1238  
THE UPS STORE #4950  
STE 110  
16772 W BELL RD  
SURPRISE AZ 85374-3064

0.5 LBS LTR 1 OF 1  
SHP WT: LTR  
DATE: 08 FEB 2019

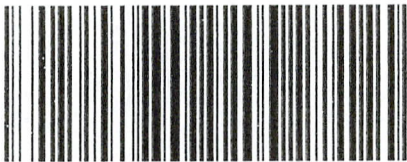
SHIP ARIZONA STATE OFFICE  
TO: (602) 417-9200  
BUREAU OF LAND MANAGEMENT  
STE 800  
1 N CENTRAL AVE  
PHOENIX AZ 85004-4427



AZ 850 9-10



UPS NEXT DAY AIR SAVER **1P**  
TRACKING #: 1Z 4F8 523 13 8791 2719



BILLING: P/P

ISH 13.00N E2844 09.5V 01/2019

SEE NOTICE ON REVERSE regarding UPS Terms, and notice of limitation of liability. Where allowed by law, shipper authorizes UPS to act as forwarding agent for export control and customs purposes. If exported from the US, shipper certifies that the commodities, technology or software were exported from the US in accordance with the Export Administration Regulations. Diversion contrary to law is prohibited. 881118

UPS worldwide express  
UPS 2nd Day Air®

Apply shipping documents on this side.

Do not use this envelope for:

- UPS Ground
- UPS Standard
- UPS 3 Day Select®
- UPS Worldwide Expedited®

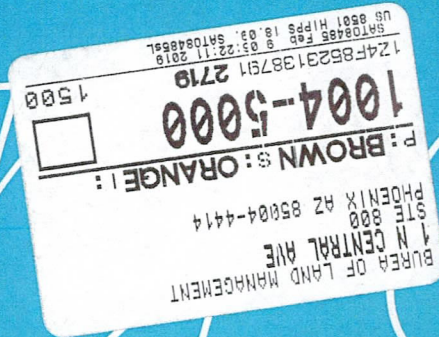
Visit [theupsstore.com](http://theupsstore.com) to learn more about our Print & Business Services.

# The UPS Store®



## Print & Business Services

Express envelope



[theupsstore.com](http://theupsstore.com)

[theupsstorefranchise.com](http://theupsstorefranchise.com)